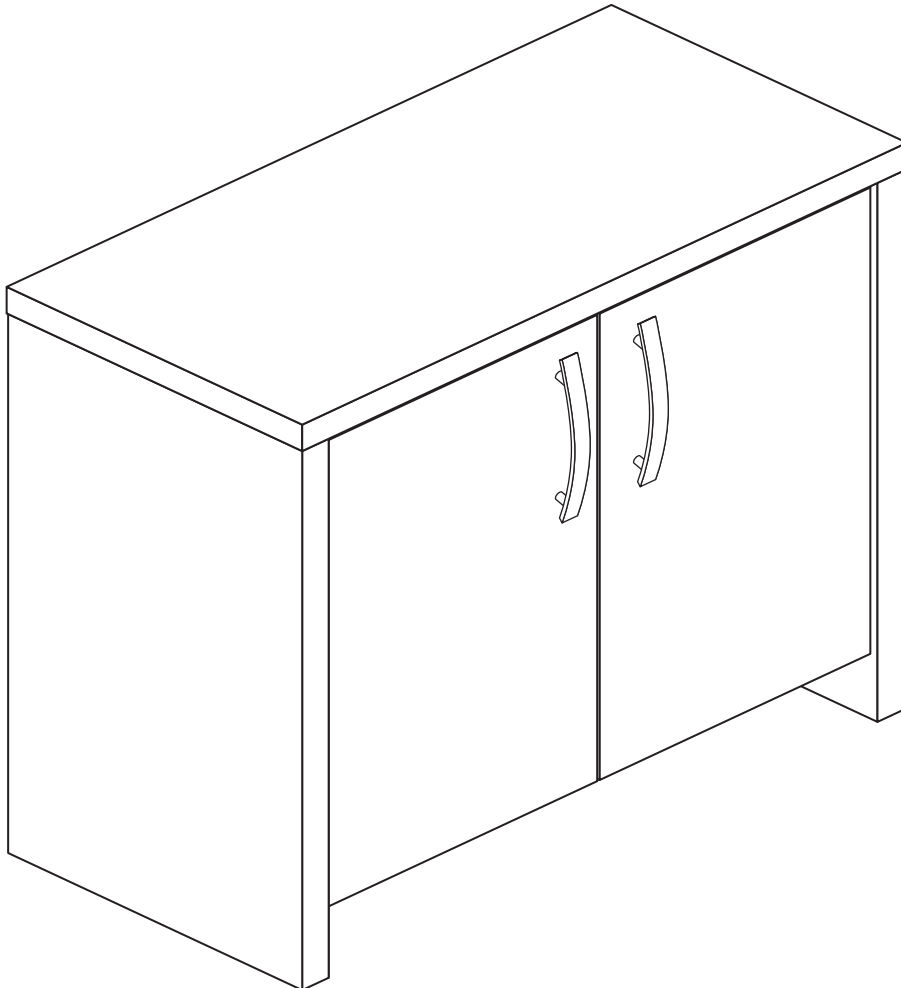


# Assembly Instructions

Please keep for future reference



## Inspire 80



Version 3 : 07/11/2014

Important - Please read these instructions fully before starting assembly

ALR2972

# Safety and Care Advice

## Important - Please read these instructions fully before starting assembly

- Warning: This unit weighs approximately 20kgs. Please lift with care.
- Check you have all the components and tools listed.
- Remove all fittings from the plastic bags and separate them into their groups.
- Keep children and animals away from the work area, small parts could choke if swallowed.
- Parts of the assembly will be easier with 2 people.
- Make sure you have enough space to layout the parts before starting.
- Assemble the item as close to its final position (in the same room) as possible.
- Assemble on a soft level surface to avoid damaging the unit or your floor (use opened out unit carton).
- We do not recommend the use of power drill/drivers for inserting screws, as this could damage the unit. Only use hand screwdrivers.
- Safety note: If there is any chance of this unit being pulled over by children etc. it is recommended that the unit is secured to a wall using suitable fixings (not supplied).
- Dispose of all packaging carefully and responsibly.



## Care and maintenance

- Only clean using a damp cloth and mild detergent, do not use bleach or abrasive cleaners.
- From time to time check that there are no loose screws on this unit.
- This product should not be discarded with household waste. Take to your local authority waste disposal centre.

## Contact Us

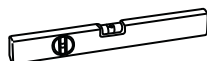
Aqua Pacific UK Ltd.  
Unit 10, Oriana Way  
Nursling Industrial Estate  
Southampton  
SO16 0YU

Tel +44 (0) 2380 734000  
Fax +44 (0) 2380 740200  
Sales@aquapacific.co.uk

### Tools



Rule



Spirit level



Cross-head screwdriver



Scissors



Hammer



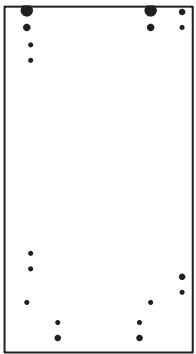
Eye protection  
(when using a hammer or drill)



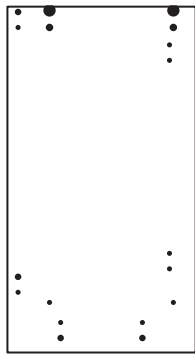
Electric drill  
(do not use for fitting screws)

# Panels & Fittings

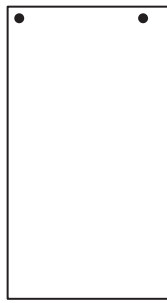
Please check you have all the panels and fittings listed below



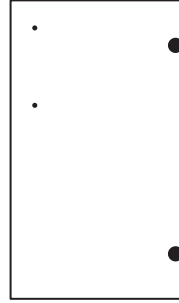
**1** Left Side (D2688B)  
(715 x 396mm)



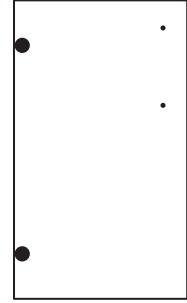
**2** Right Side (D2689B)  
(715 x 396mm)



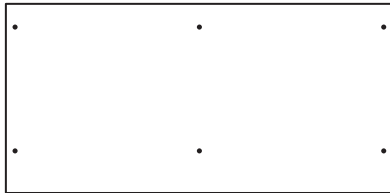
**3** Upright (D2691B)  
(604 x 344.5mm)



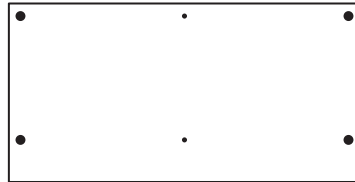
**4** Left Door (D2694B)  
(617 x 358mm)



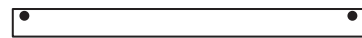
**5** Right Door (D2770B)  
(617 x 358mm)



**6** Top (D2687B)  
(800 x 398mm)



**7** Base (D2690B)  
(726 x 376mm)



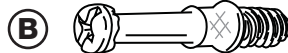
**8** Rail (D2692A)  
(726 x 57mm) x 2



**9** Plinth (D2693A)  
(726 x 96mm) x 2



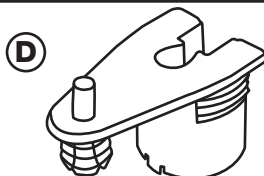
Wooden Dowel (F22) x 8



Large Metal Dowel (F901) x 14



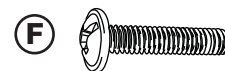
Small Metal Dowel (F893) x 4



Hollow Core  
Locking Nut  
(F892) x 4



Large Locking  
Nut (F900) x 14



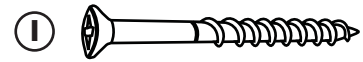
19mm Screw (F461) x 4



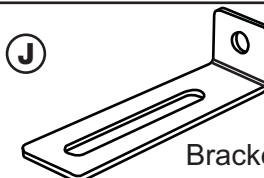
13mm Screw (F63) x 8



13mm Screw (F79) x 1



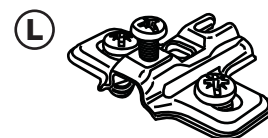
45mm Screw (F65) x 2



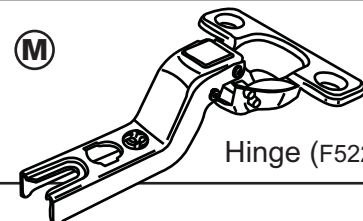
Bracket (F327) x 1



Handle (F306) x 2



Hinge Plate  
(F523) x 4



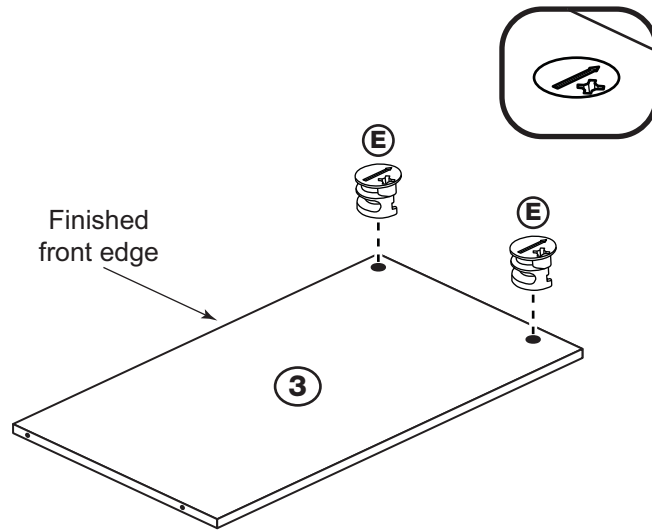
Hinge (F522) x 4

## Step 1

### Prepare the Upright

Insert 2 Large Locking Nuts into the Upright.

**Note:** The arrow on the locking nut **must** point towards the hole in the edge of the panel.

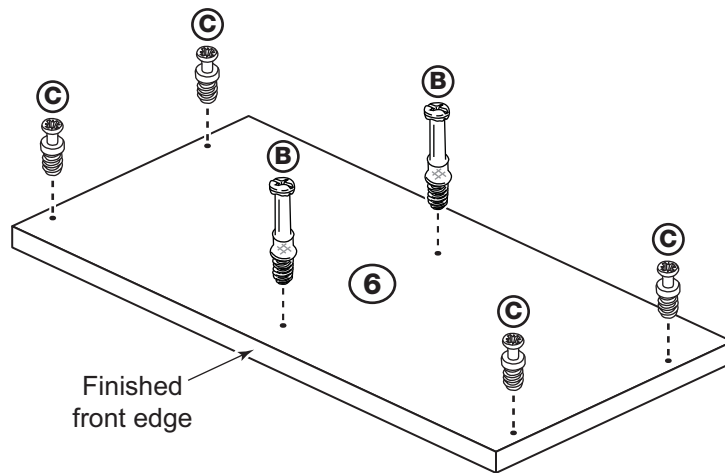


## Step 2

### Prepare the Top

Screw 2 Large Metal Dowels into the Top.

Screw 4 Small Metal Dowels into the Top.



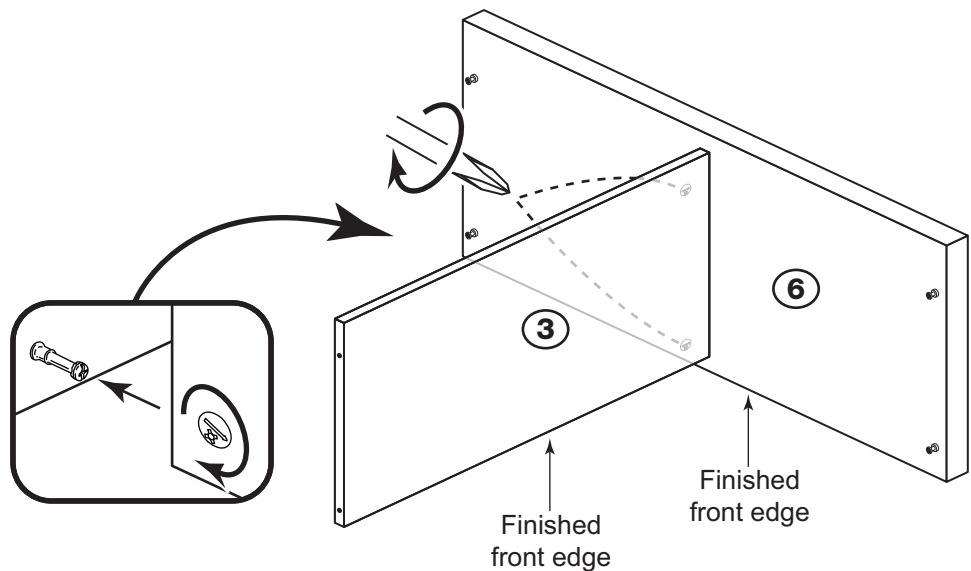
## Step 3

### Join the Upright to the Top

Push the Upright onto the Top.

Use a screwdriver to tighten the 2 Large Locking Nuts fitted to the Upright.

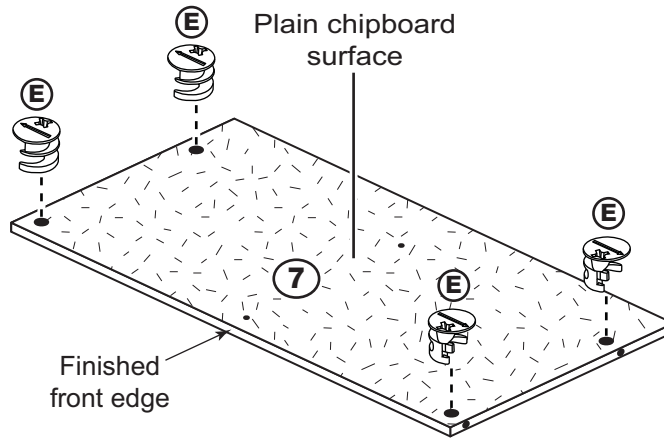
**Note:** Turn the Large Locking Nuts as far as they will go - more than 1/2 a turn.



## Step 4

### Prepare the Base

Insert 4 Large Locking Nuts into the Base.

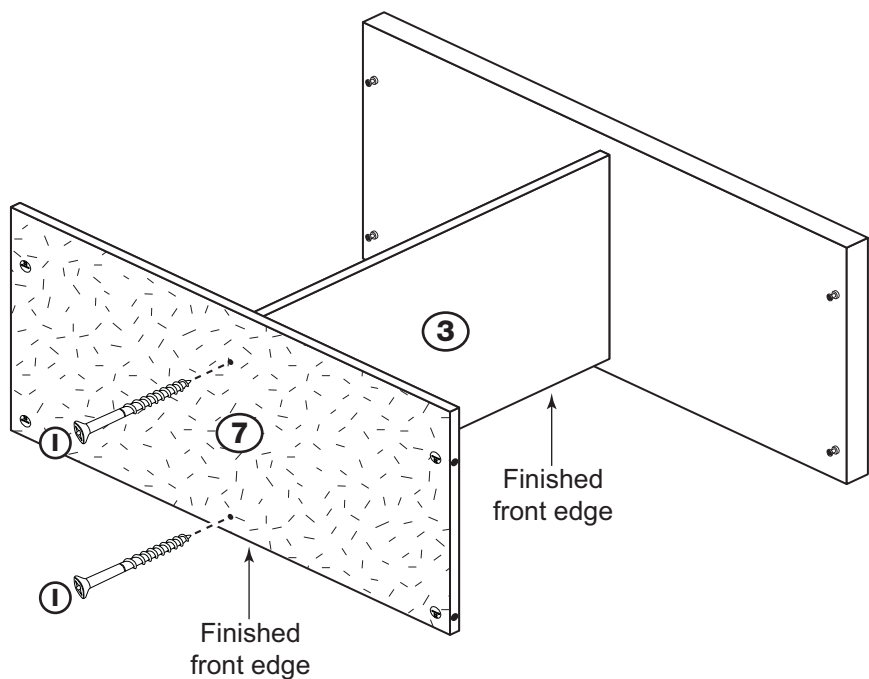


## Step 5

### Join the Base to the Upright

Fit the Base to the Upright using the 45mm Screws.

To make the assembly easier, you may wish to raise the Upright and Base so that they are level, by putting something underneath them e.g. polystyrene blocks from the packaging



## Step 6

### Prepare the Left Side

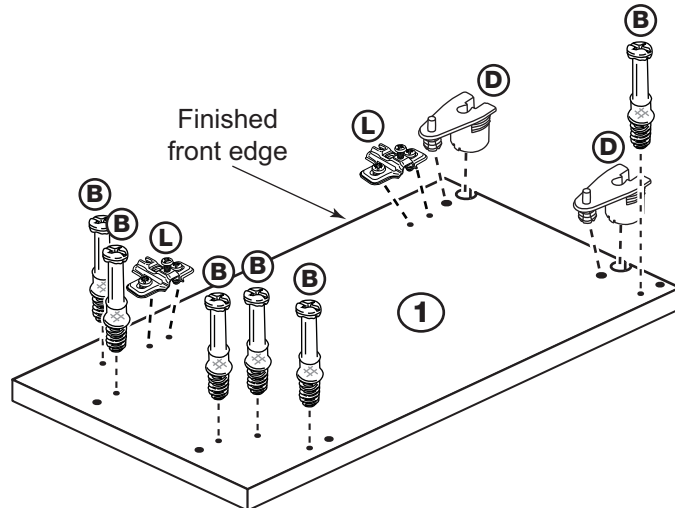
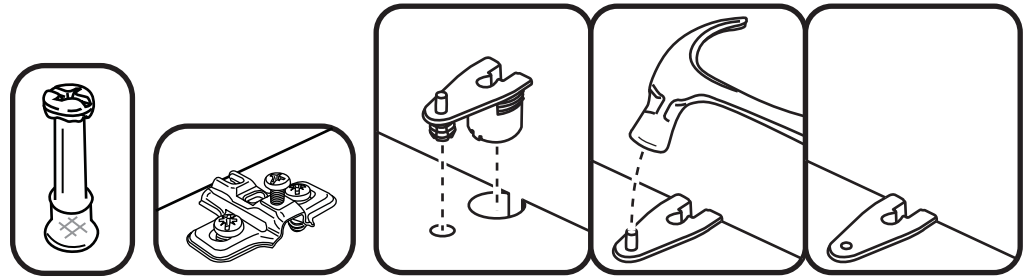
Screw 6 Large Metal Dowels into the Left Side.

Push 2 Hollow Core Locking Nuts into the Left Side, making sure that they are flush against the panel's surface.

Using a hammer, tap in the pin on the Hollow Core Locking Nut.

Note: The pin should be tapped in flush with the top surface of the Hollow Core Locking Nut.

Fit 2 Hinge Plates onto the Left Side, making sure that the slot is facing towards the finished front edge.



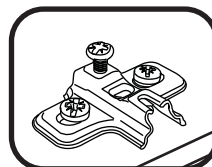
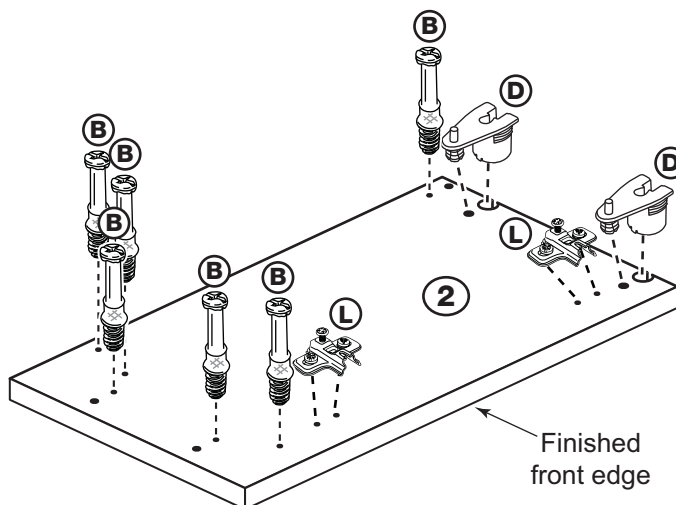
## Step 7

### Prepare the Right Side

Screw 6 Large Metal Dowels into the Right Side.

Push 2 Hollow Core Locking Nuts into the Right Side.

Fit 2 Hinge Plates onto the Right Side, making sure that the slot is facing towards the finished front edge.



## Step 8

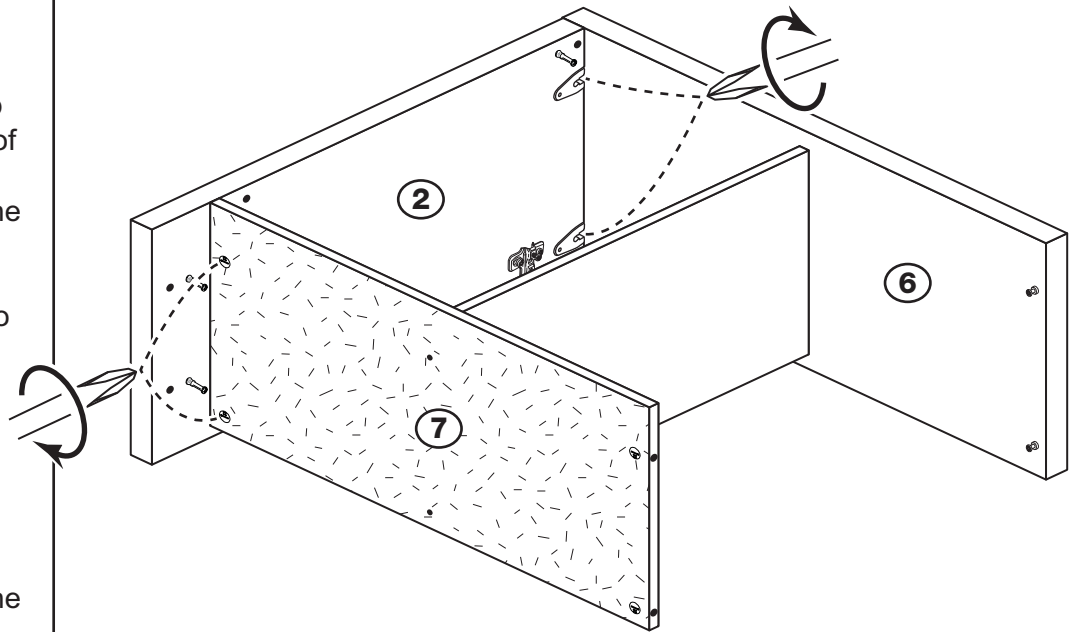
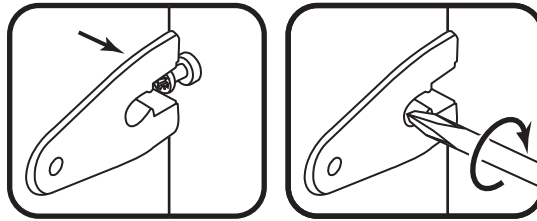
### Fit the Right Side

Push the Right Side onto the Top and the Base.

The 2 Small Metal Dowels fitted to the Top must slide into the top of the 2 Hollow Core Locking Nuts fitted to the Right Side.

Insert a screwdriver into the 2 Hollow Core Locking Nuts and turn the nuts inside as far as they will go.

Use a screwdriver to tighten the 2 Large Locking Nuts fitted to the Base.

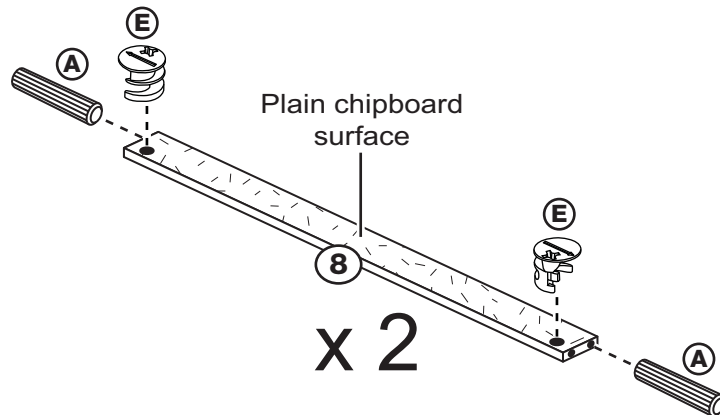


## Step 9

### Prepare the 2 Rails

Insert 2 Large Locking Nuts into each of the 2 Rails.

Tap 2 Wooden Dowels into each of the 2 Rails.

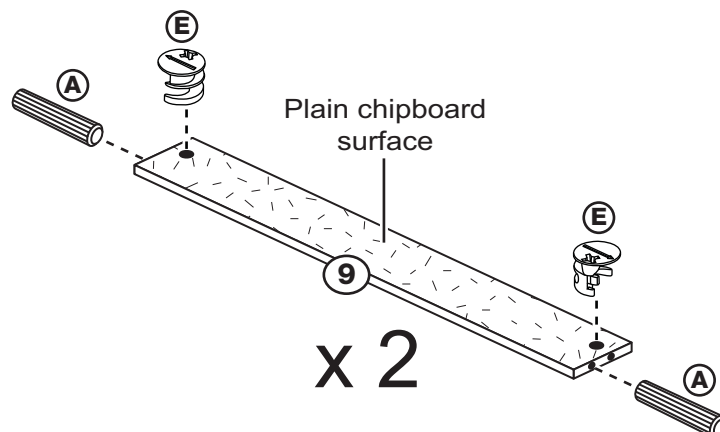


## Step 10

### Prepare the 2 Plinths

Insert 2 Large Locking Nuts into each of the 2 Plinths.

Tap 2 Wooden Dowels into each of the 2 Plinths.

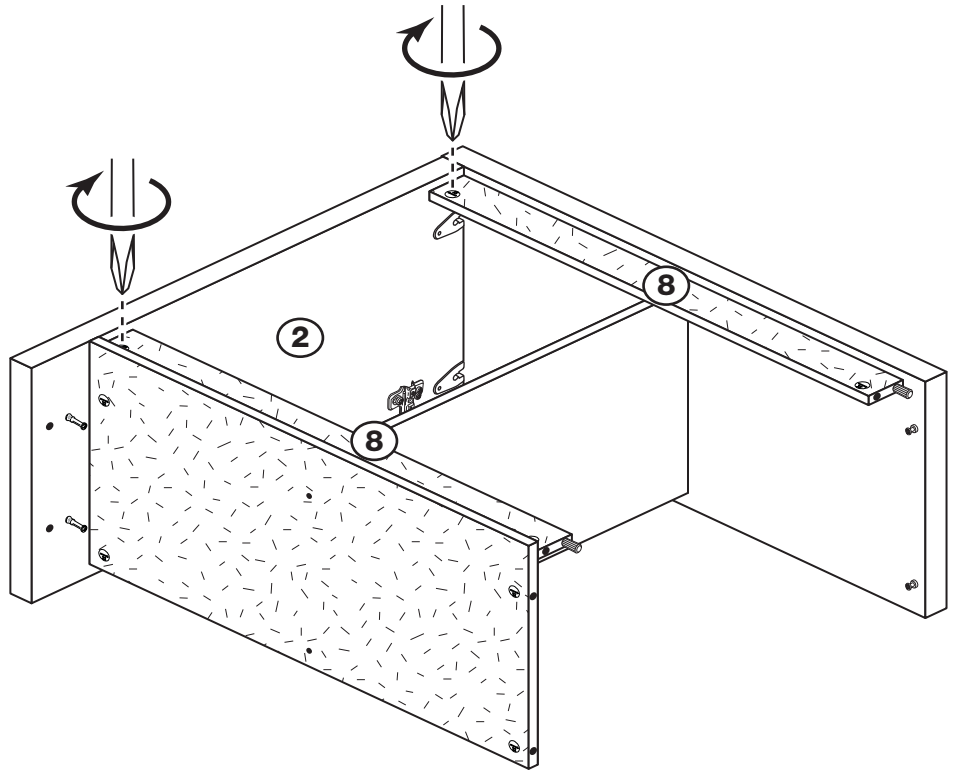


## Step 11

### Fit the 2 Rails

Push the 2 Rails onto the Right Side.

Use a screwdriver to tighten the Large Locking Nut fitted to each Rail.

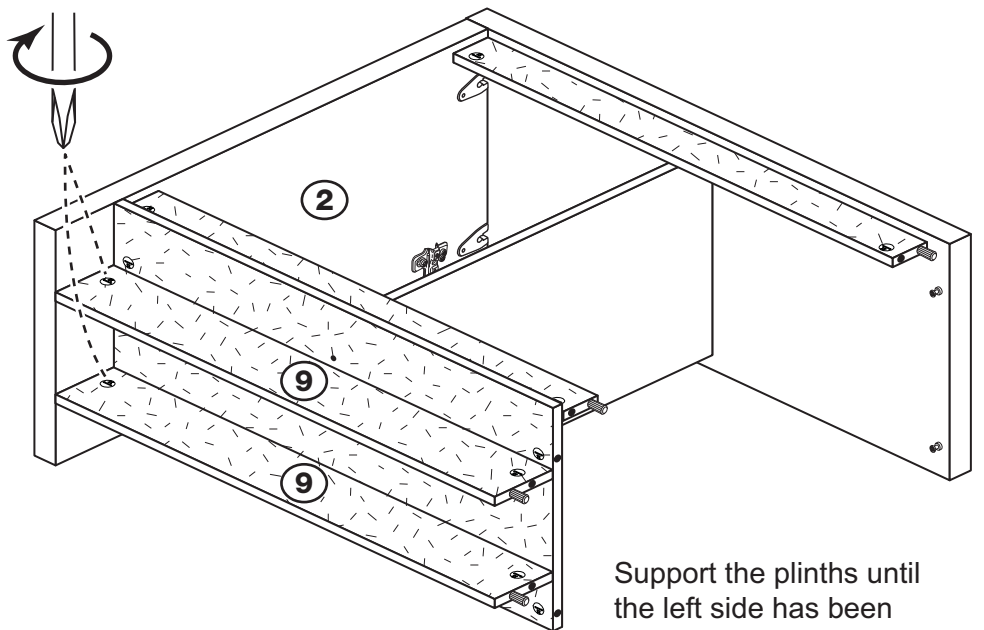


## Step 12

### Fit the 2 Plinths

Push the 2 Plinths onto the Right Side.

Use a screwdriver to tighten the Large Locking Nut fitted to each Plinth.



Support the plinths until the left side has been fitted in the next step.



## Step 13

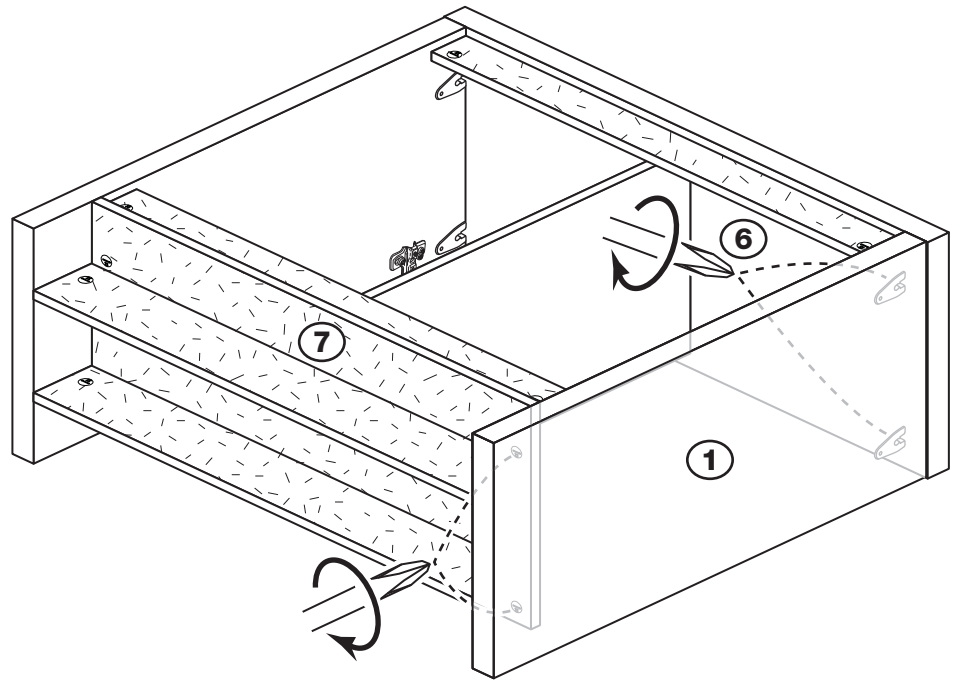
### Fit the Left Side

Push the Left Side onto the assembly.

The 2 Small Metal Dowels fitted to the Top must slide into the top of the 2 Hollow Core Locking Nuts fitted to the Left Side.

Insert a screwdriver into the 2 Hollow Core Locking Nuts and turn the nuts inside as far as they will go.

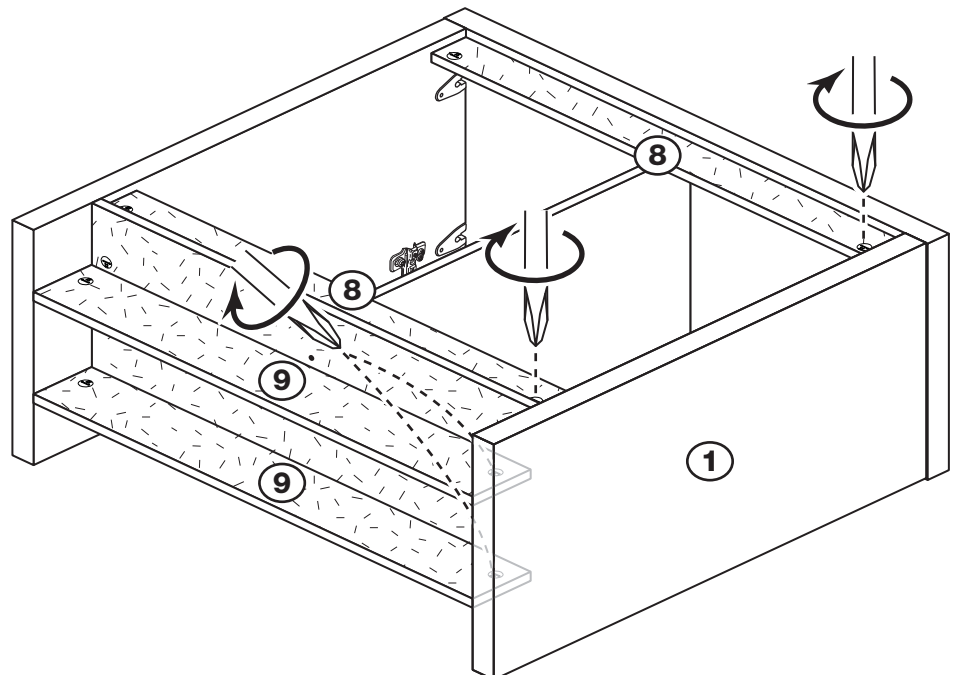
Use a screwdriver to tighten the 2 Large Locking Nuts fitted to the Base.



## Step 14

### Secure the Rails and Plinths

Use a screwdriver to tighten the 4 Large Locking Nuts fitted to the Rails and Plinths.



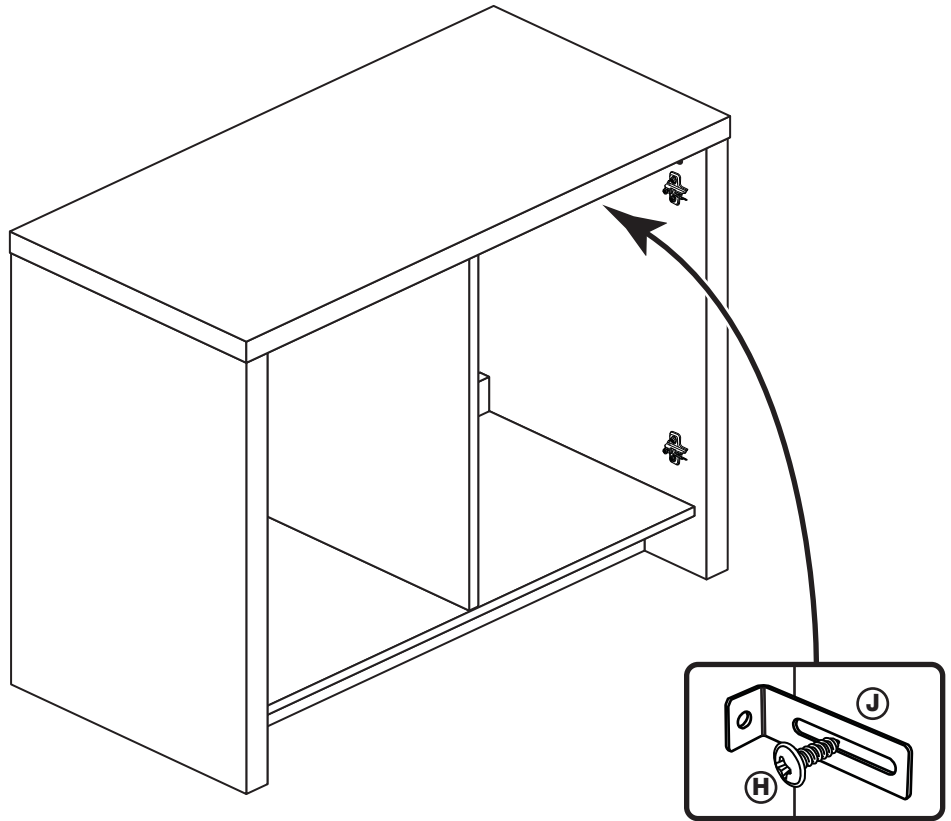
## Step 15

### Secure unit to a wall

To prevent possible overbalancing we recommend that this unit is secured to a suitable wall using the Bracket fitted near the top on one of the Side Panels with the 13mm Screw.

Fixings are not supplied as they will need to suit the wall type, and the length of screw will depend on the distance of the back of the unit to the wall.

**Warning:** Take care when drilling the wall that you do not drill into any pipes, wires etc. If in doubt, consult an expert.



The Bracket can be fitted to either the Left Side or the Right Side.

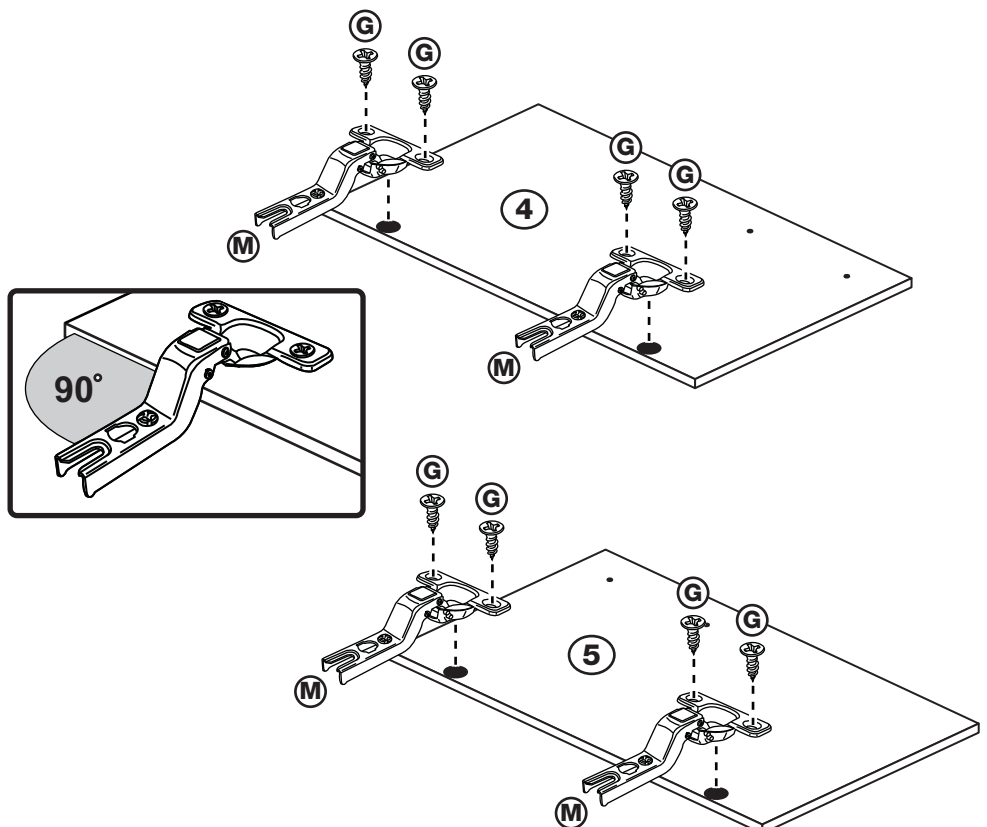
## Step 16

### Prepare the 2 Doors

Push fit 2 Hinges into each of the 2 Doors.

Secure each Hinge with two 13mm Screws.

**Note:** Before securing with the Screws, make sure that each Hinge is positioned at 90 degrees with the edge of the Door.



## Step 17

### Fit Doors and Handles

Note: The easiest way to attach each Door is to fit the top Hinge first, then align and fit the other Hinge.

**a:** Push the Hinge onto the front part of the Hinge Plate.

The recess at the bottom of screw B goes into the slot in the Hinge Plate.

**b:** Keep the Hinge FLAT against the Hinge Plate as you slide it across as far as it will go. Tighten screw A.

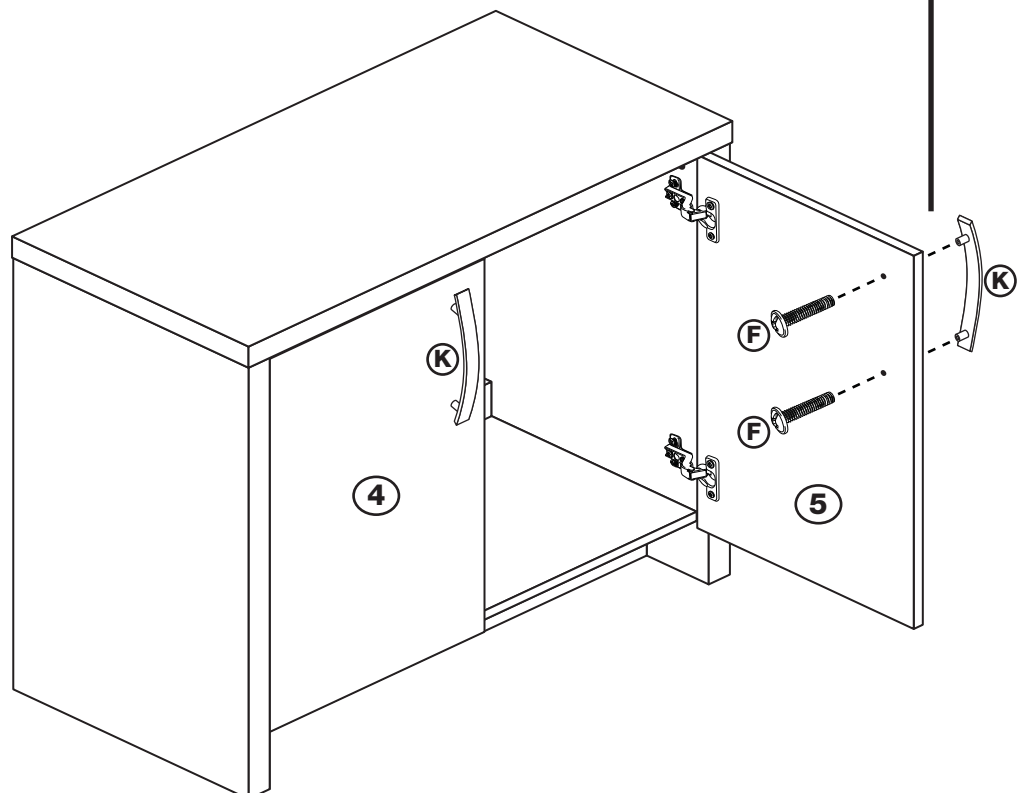
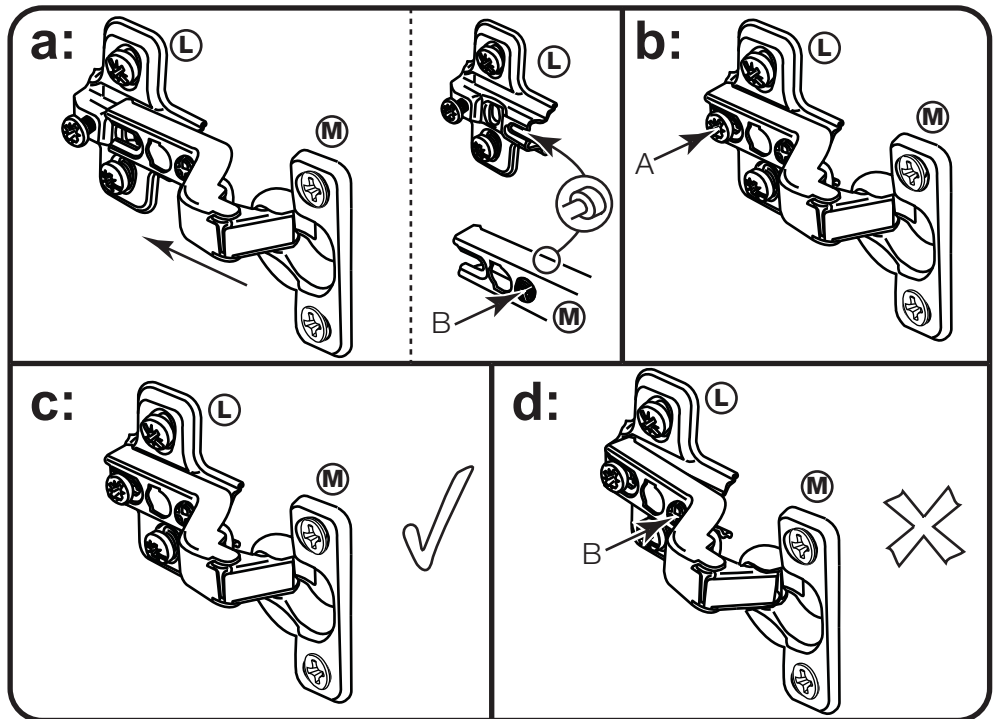
**c:** The Hinge must be flat against the Hinge Plate prior to any adjustment.

**d:** The Hinge must NOT BE AT AN ANGLE to the Hinge Plate when assembled.

This would indicate that the recess at the bottom of screw B had not located in the slot in the Hinge Plate and the Hinge would not be secure.

Remove the Hinge from the Hinge Plate and then re-assemble being careful to follow instructions a-c.

**e:** Attach a Handle to each Door using two 19mm Screws.



## Step 18

### Adjust the Doors if required

**a:** Before adjusting the Doors, use a spirit level to check the Base (or Top) of the unit is level, front-to-back and side-to-side in the 3 positions shown. Use suitable packing pieces (not supplied) to make the unit level BEFORE making any adjustment to the Hinges, as shown.

**b: Height adjustment.**  
Loosen screws A on Hinge Plates and move the Door up or down as required.  
Retighten screw A.

**c: Forward and Back adjustment.**  
Loosen screw B on Hinge Plate and move the Door in or out as required.  
Retighten screw B.

**d: Sideways adjustment.**  
To move the Door 'out' loosen screw C.  
To move the Door 'in' tighten screw C.

