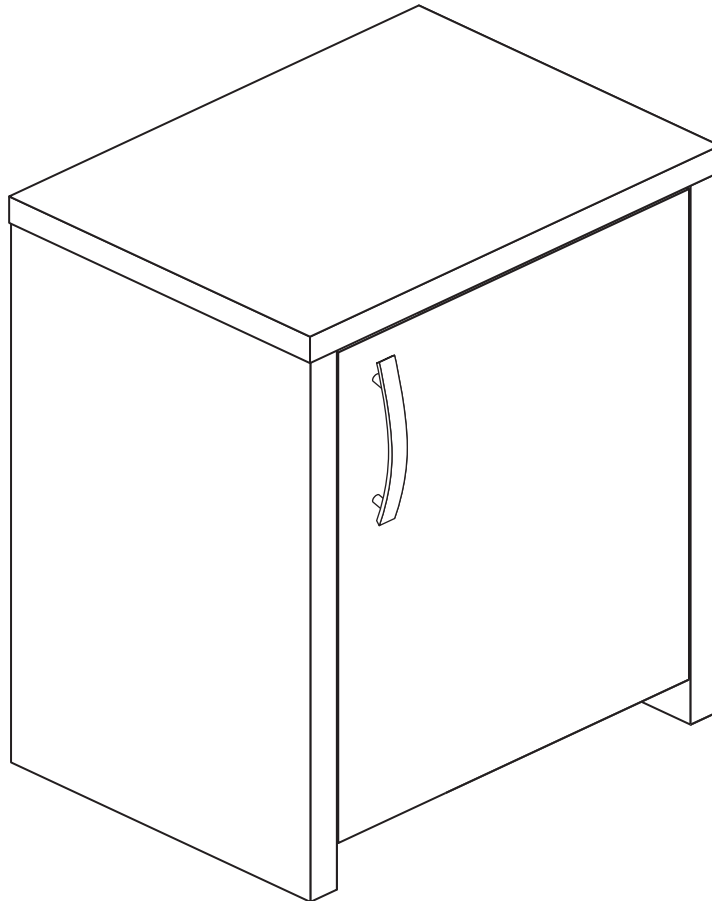


# Assembly Instructions

Please keep for future reference



## Inspire 60



Version 2 : 28/07/2014

Important - Please read these instructions fully before starting assembly

ALR3022

# Safety and Care Advice

## Important - Please read these instructions fully before starting assembly

- Warning: This unit weighs approximately 16kgs. Please lift with care.
- Check you have all the components and tools listed.
- Remove all fittings from the plastic bags and separate them into their groups.
- Keep children and animals away from the work area, small parts could choke if swallowed.
- Parts of the assembly will be easier with 2 people.

- Make sure you have enough space to layout the parts before starting.
- Assemble the item as close to its final position (in the same room) as possible.
- Assemble on a soft level surface to avoid damaging the unit or your floor (use opened out unit carton).



- We do not recommend the use of power drill/drivers for inserting screws, as this could damage the unit. Only use hand screwdrivers.
- Safety note: If there is any chance of this unit being pulled over by children etc. it is recommended that the unit is secured to a wall using suitable fixings (not supplied).
- Dispose of all packaging carefully and responsibly.

## Care and maintenance

- Only clean using a damp cloth and mild detergent, do not use bleach or abrasive cleaners.
- From time to time check that there are no loose screws on this unit.
- This product should not be discarded with household waste. Take to your local authority waste disposal centre.

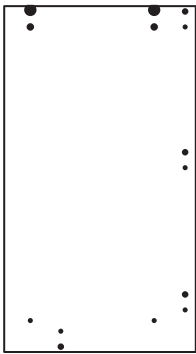
## Contact Us

Aqua Pacific UK Ltd.  
Unit 10, Oriana Way  
Nursling Industrial Estate  
Southampton  
SO16 0YU

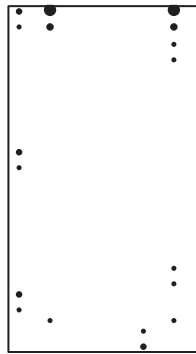
Tel +44 (0) 2380 734000  
Fax +44 (0) 2380 740200  
Sales@aquapacific.co.uk

# Panels & Fittings

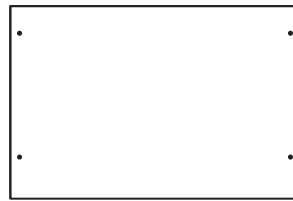
Please check you have all the panels and fittings listed below



**1** Left Side (D2505B)  
(715 x 396mm)



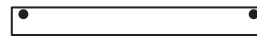
**2** Right Side (D2505B)  
(715 x 396mm)



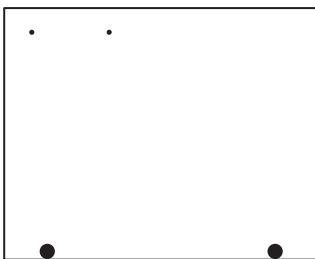
**3** Top (D2941A)  
(598 x 398mm)



**4** Base (D2942A)  
(524 x 347mm)



**5** Rail (D2943A)  
(524 x 57mm) x 2



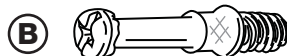
**6** Door (D2944B)  
(649 x 520mm)



**7** Back (D2945A)  
(524 x 424mm)



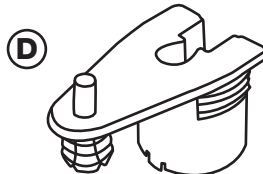
Wooden Dowel (F22) x 8



Large Metal Dowel (F901) x 12



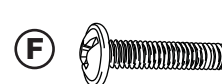
Small Metal Dowel (F893) x 4



Hollow Core  
Locking Nut  
(F892) x 4



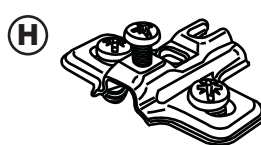
Large Locking  
Nut (F900) x 12



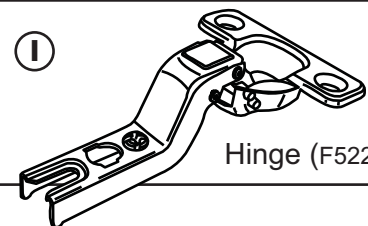
19mm Screw (F461) x 2



13mm Screw (F63) x 4



Hinge Plate  
(F523) x 2

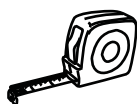


Hinge (F522) x 2

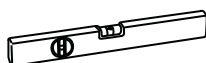


Handle (F306) x 1

## Tools



Rule



Spirit  
level



Cross-head  
screwdriver



Scissors



Hammer



Eye protection  
(when using a  
hammer or drill)



Electric drill  
(do not use for  
fitting screws)

## Step 1

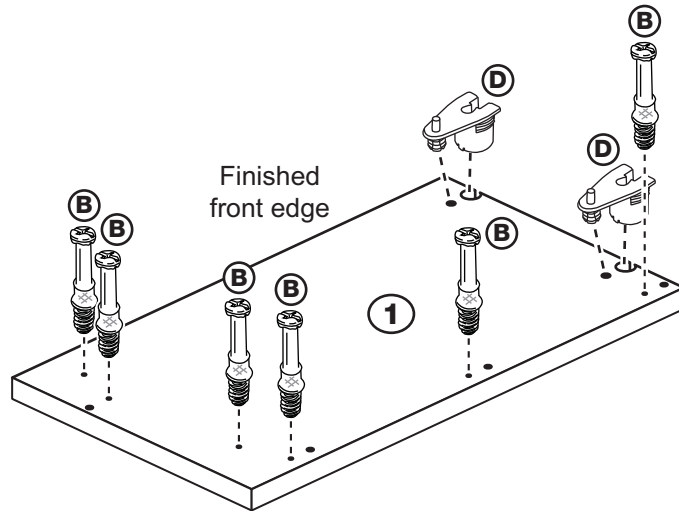
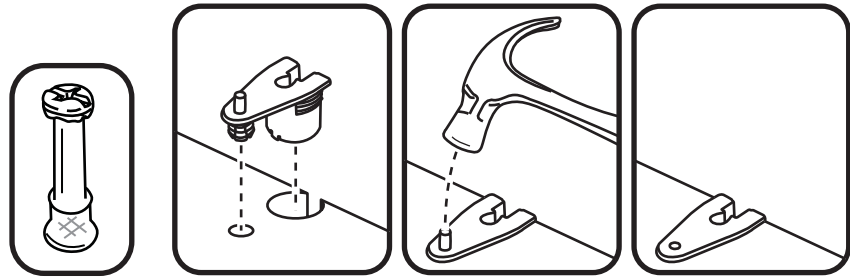
### Prepare the Left Side

Screw 6 Large Metal Dowels into the Left Side.

Push 2 Hollow Core Locking Nuts into the Left Side, making sure that they are flush against the panel's surface.

Using a hammer, tap in the pin on the Hollow Core Locking Nut.

Note: The pin should be tapped in flush with the top surface of the Hollow Core Locking Nut.



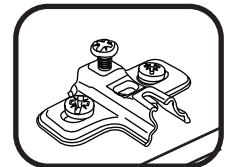
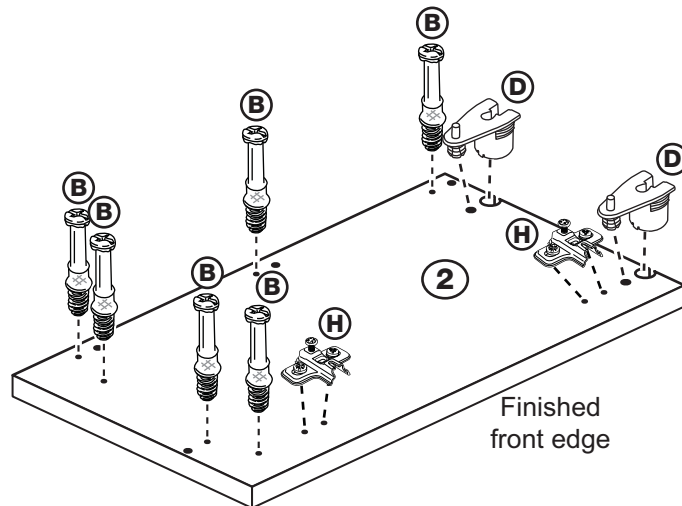
## Step 2

### Prepare the Right Side

Screw 6 Large Metal Dowels into the Right Side.

Push 2 Hollow Core Locking Nuts into the Right Side.

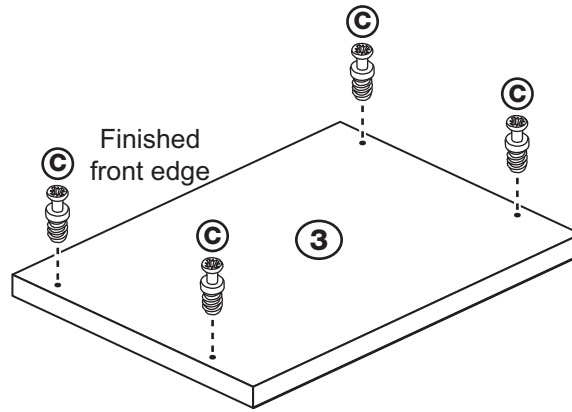
Fit 2 Hinge Plates onto the Right Side, making sure that the slot is facing towards the finished front edge.



### Step 3

#### Prepare the Top

Screw 4 Small Metal Dowels into the Top.

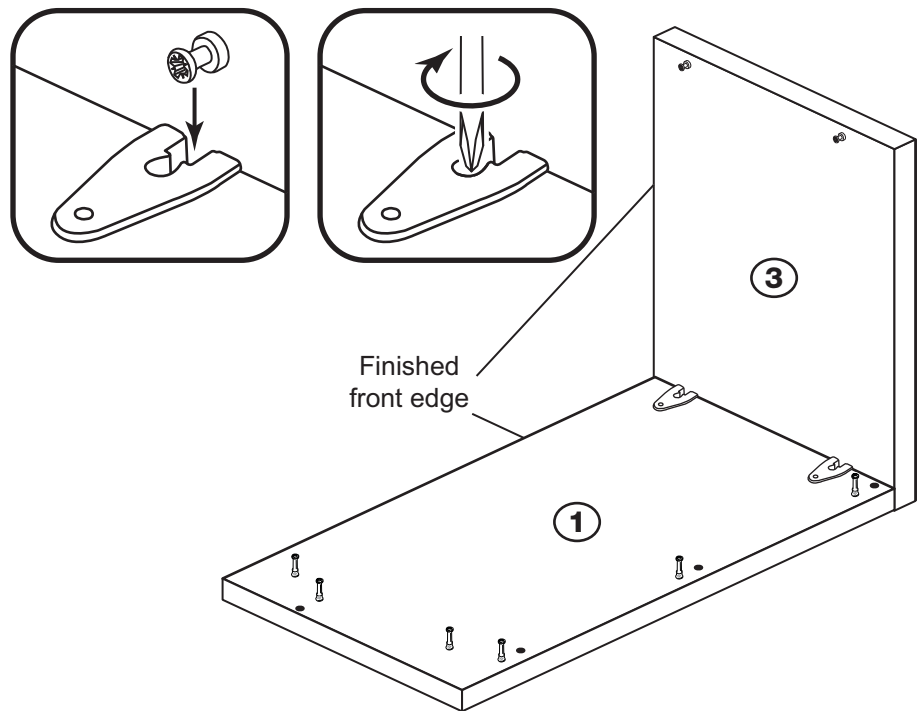


### Step 4

#### Join the top to the Left Side

Slide the Small Metal Dowels fitted to the Top into the Hollow Core Locking Nuts fitted to the Left Side.

Insert a screwdriver into the 2 Hollow Core Locking Nuts and turn the nuts inside as far as they will go.

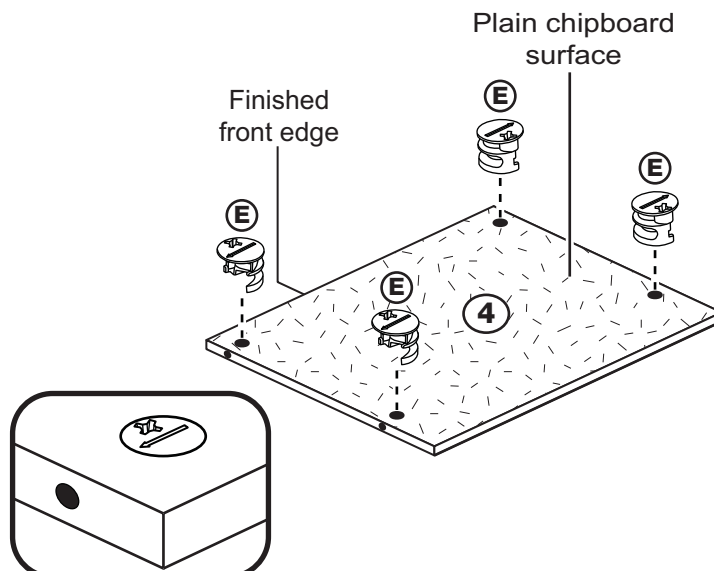


### Step 5

#### Prepare the Base

Insert 4 Large Locking Nuts into the Base.

**Note:** The arrow on the locking nut **must** point towards the hole in the edge of the panel.



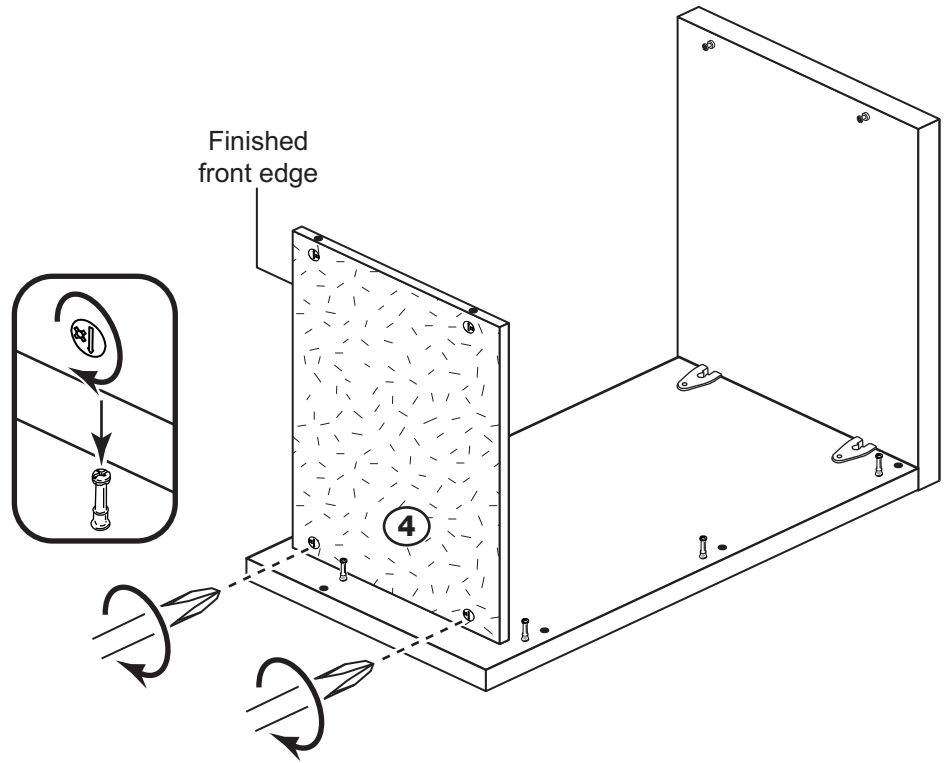
## Step 6

### Fit the Base to the Left Side

Push the Base down onto the Left Side.

Use a screwdriver to tighten the 2 Large Locking Nuts fitted to the Base.

Note: Turn the Large Locking Nuts as far as they will go - more than 1/2 a turn.

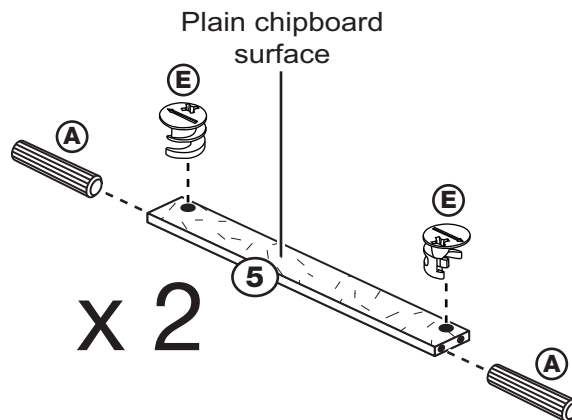


## Step 7

### Prepare the 2 Rails

Insert 2 Large Locking Nuts into each of the 2 Rails.

Tap 2 Wooden Dowels into each of the 2 Rails.

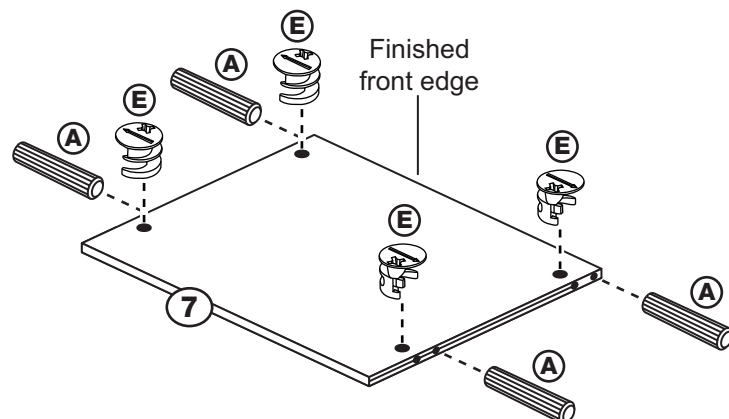


## Step 8

### Prepare the back

Insert 4 Large Locking Nuts into the back.

Tap 4 Wooden Dowels into the back.

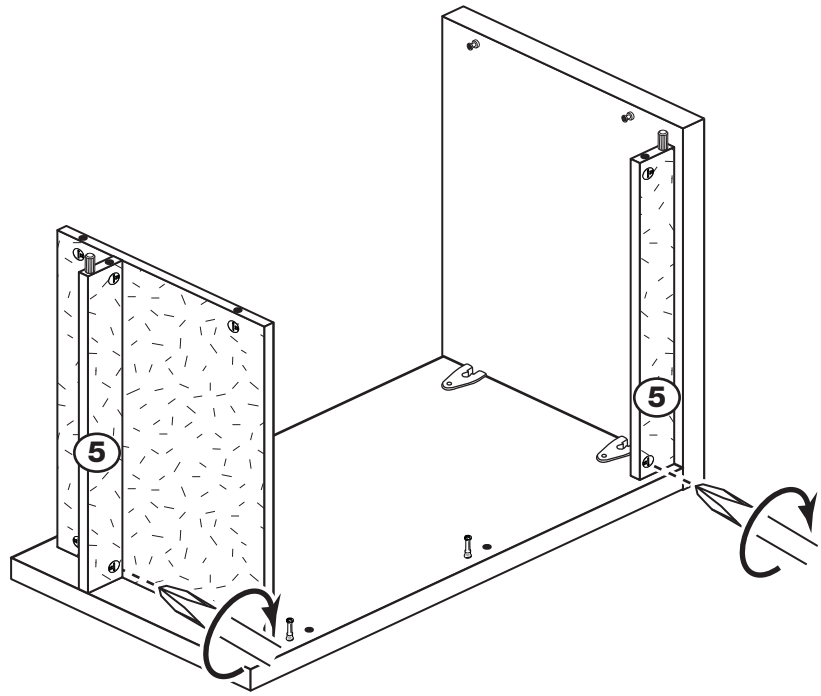


## Step 9

### Fit the 2 Rails

Push the 2 Rails down onto the Left Side.

Use a screwdriver to tighten the 2 Large Locking Nuts fitted to the Rails.

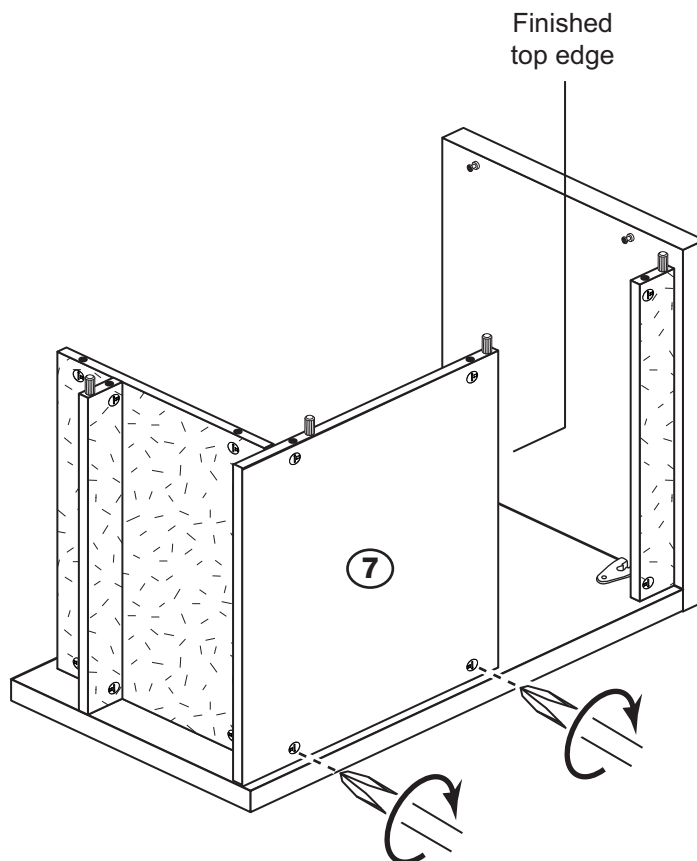


## Step 10

### Fit the Back

Push the Back down onto the Left Side.

Use a screwdriver to tighten the 2 Large Locking Nuts fitted to the Back.



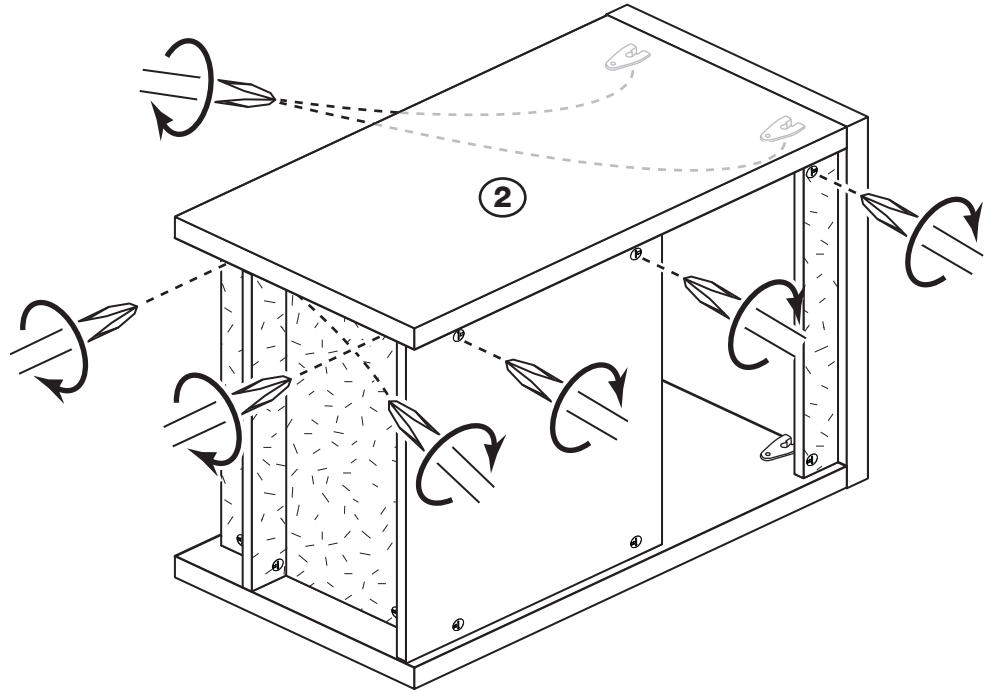
## Step 11

### Fit the Right Side

Push the Right Side down onto the assembly.

Use a screwdriver to tighten the 6 Large Locking Nuts fitted to the Base, 2 Rails, and the Back.

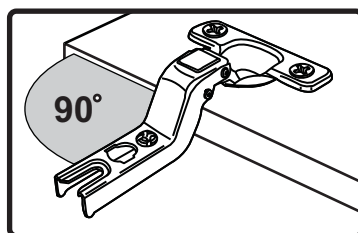
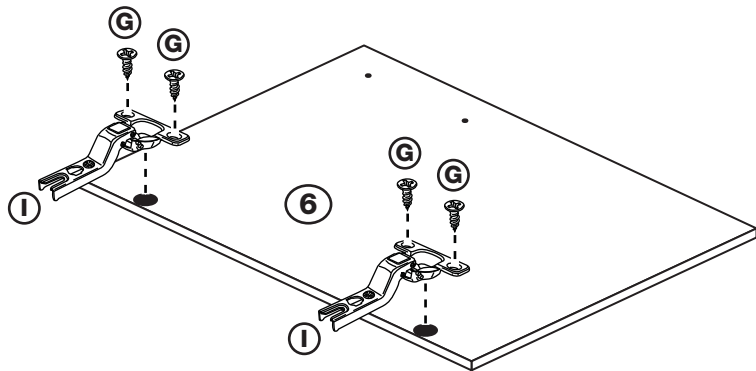
Insert a screwdriver into the 2 Hollow Core Locking Nuts and turn the nuts inside as far as they will go.



## Step 12

### Prepare the Door

Make sure the Hinges are pushed in at 90 degrees to the edge of the door before screwing them into place.





## Step 13

### Fit the Door and Handle

We recommend that you fit the top Hinge first, then align and fit the other Hinge.

**a:** Push the Hinge onto the front part of the Hinge Plate. The recess at the bottom of Screw B goes into the slot in the Hinge Plate.

**b:** Keep the Hinge FLAT against the Hinge Plate as you slide it across as far as it will go. Tighten Screw A.

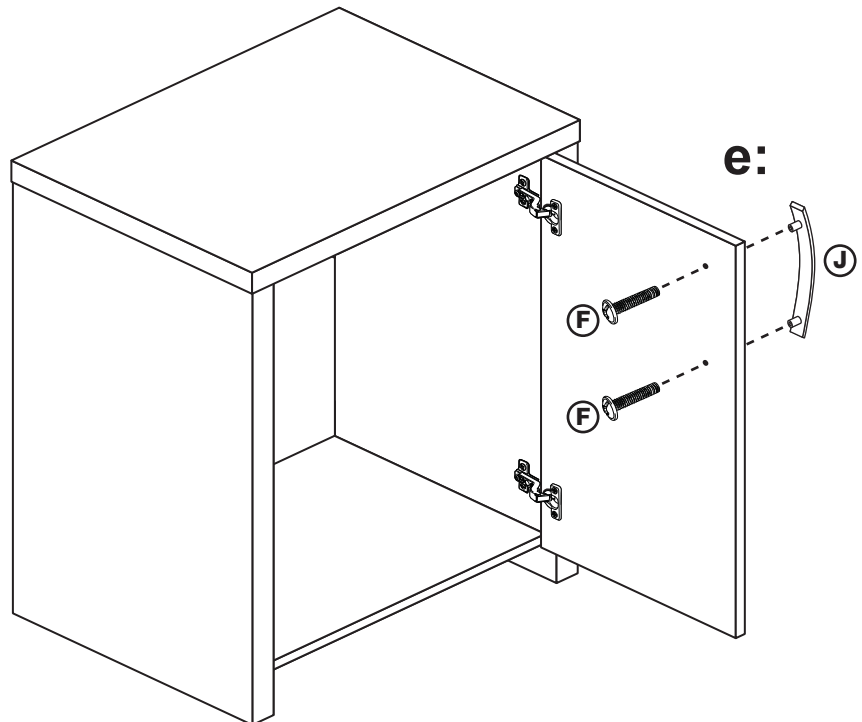
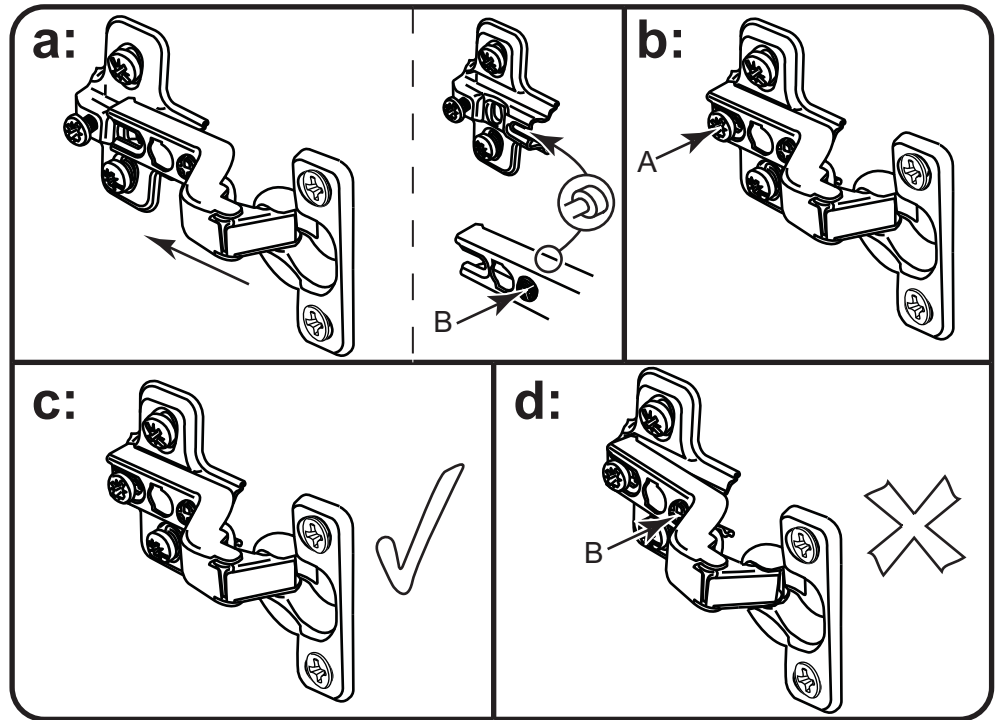
**c:** The Hinge must be flat against the Hinge Plate prior to any adjustment.

**d:** The Hinge must NOT be AT AN ANGLE to the Hinge Plate when assembled.

This would indicate that the recess at the bottom of Screw B had not located in the slot in the Hinge Plate and the Hinge would not be secure.

Remove the Hinge from the Hinge Plate and then re-assemble being careful to follow instructions a-c.

**e:** Attach the Handle to the Door.



## Step 14

### Adjust the Door if required

**a:** Before adjusting the Door, use a spirit level to check the Top (or Base) of the unit is level, front-to-back and side-to-side in the 3 positions shown. Use suitable packing pieces (not supplied) to make the unit level BEFORE making any adjustment to the Hinges.

**b:** Height adjustment. Loosen Screws A on the Hinge Plates and move the Door up or down as required. Retighten Screw A.

**c:** Forward and Back adjustment. Loosen Screw B on the Hinge Plate and move the Door in or out as required. Retighten Screw B.

**d:** Sideways adjustment. To move the Door 'out' loosen Screw C. To move the Door 'in' tighten Screw C.

