

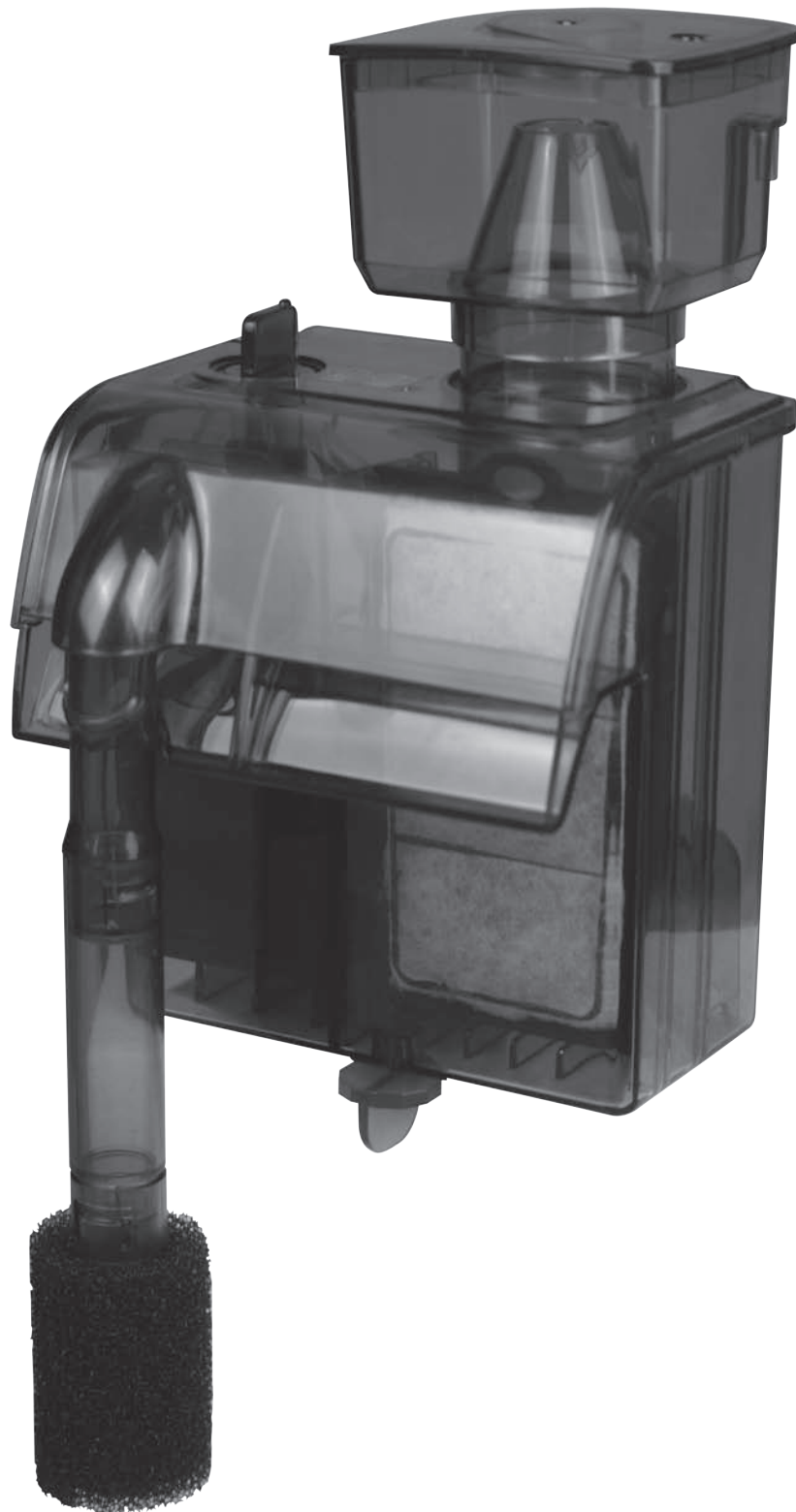
NanoSkim



Aqua One[®]

40 / 90

Inspiring Excellence in Fish Keeping!



Instruction version: 10/07/2012

www.aquaone.com.au

Important Safeguards

To guard against injury, basic safety precautions should be observed, including the following:

1. Read and follow all safety instructions and important notices in these instructions as well as on the product itself.

2. This appliance is not intended for use by children or infirm persons without supervision. Young children should be supervised to ensure that they do not play with the appliance.

3. To avoid possible electric shocks, special care should be taken since water is employed in the use of aquarium equipment. For each of the following situations do not attempt repairs yourself. Return the appliance to an authorised service facility for service or discard the appliance.

a. If the appliance or any electrical component of the appliance (non-immersible equipment only) falls into the water or gets wet, do not reach for it. Unplug it and then retrieve it.

b. If the appliance shows any sign of abnormal water leakage, immediately unplug it from the power source.

c. Carefully examine the appliance after installation. It should not be plugged in if there is water on parts which are not intended to be wet.

d. Do not operate the appliance if it has a damaged cord or plug, or if it is malfunctioning, or dropped or damaged in any manner.

4. A “drip loop” (see graphic) should be arranged for each cable connecting an aquarium to a power supply. The drip loop is the part of the cable below the level of the power supply. It prevents water travelling down the cable and coming into contact with the power supply. If the plug or the socket does get wet, do not unplug the appliance. Disconnect the fuse or circuit breaker that supplies the power to the appliance, then unplug and examine for presence of water in the socket.

5. Always unplug the appliance from the electrical outlet when not in use, before putting on or taking off parts, before any type of maintenance or cleaning.

6. Never yank the cable to pull it from the socket. Pull the plug carefully to disconnect.

7. Do not use the appliance for reasons other than the intended use. The use of attachments that are not recommended or sold by the manufacturer may cause the product to be unsafe. This is not recommended.

8. Do not install or store the appliance where it will be exposed to weather or temperatures below freezing.

9. Make sure any component mounted on a tank is securely installed before operating it.

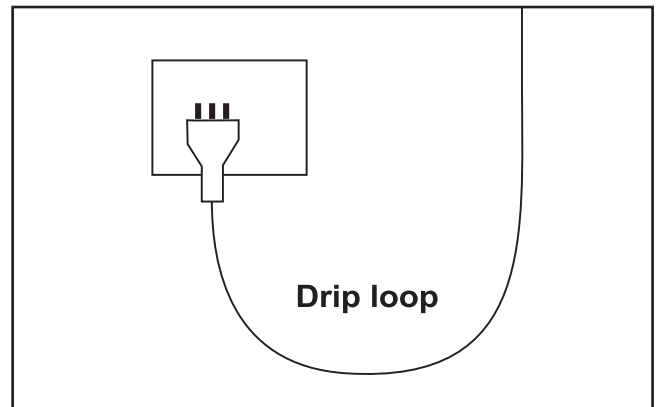
10. Ensure input voltage is the same voltage as your local power supply.

11. If an extension cable is used it should have the proper rating. Care should be taken to arrange the cord so that it will not be tripped or pulled.

12. A G.F.C.I (Ground fault circuit interrupter) & surge protector is recommended for all electrical appliances.

13. Ensure your hands are dry when turning the power switch on/off and when inserting/removing the power cable from the socket.

14. If you are in any doubt about the electrical installation or safety of this product you must consult a qualified electrician.



For Guarantee Conditions, please refer to the Guarantee form that is enclosed with this product.

All products are supplied with fitted plugs. This plug should not be tampered with in any way or removed. Removal or tampering with the plug invalidates our guarantee offered with this product.

For UK a 3 pin adaptor is supplied with the product and this must be used.

Before First Use / Preparation

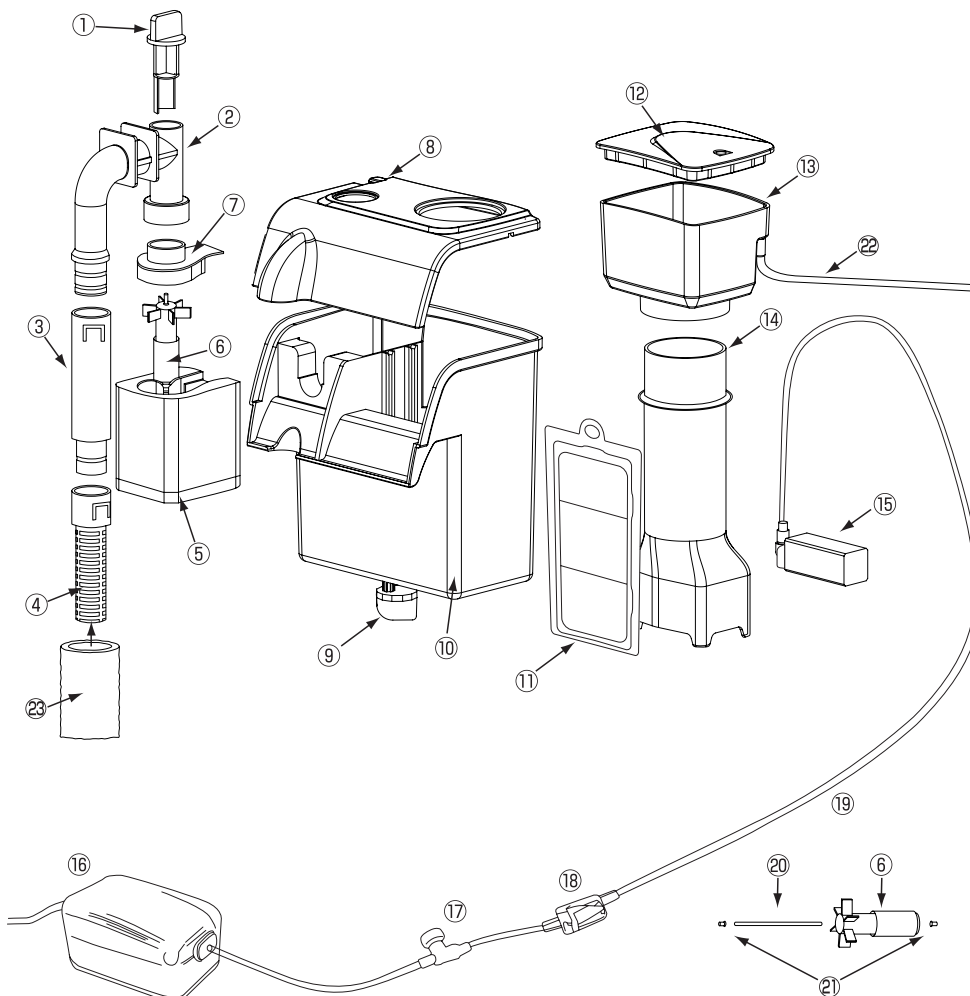
Read and follow all the instructions, even if you feel you are familiar with the product and find a place to keep the instructions handy for future reference. Your attention is drawn particularly to the sections concerning **“IMPORTANT SAFEGUARDS”** and the **“GUARANTEE CONDITIONS”**. Please ensure you retain your original purchase receipt in the event that guarantee service is required.

Carefully unpack the filter making sure you keep all the packing material until all the parts of the product have been found and the product has been assembled.

This product is shipped to you in a factory sealed carton. Should the product malfunction in any way or if the unit is damaged and requires replacement, contact the retailer where the product was purchased for inspection.

Know Your Skimmer

NanoSkim 40 / 90



Set up/Parts

1. Water flow adjustor
2. Intake U-pipe
3. Intake pipe
4. Strainer
5. Pump
6. Impeller
7. Impeller cover
8. Lid
9. Spacer
10. Skimmer body
11. Carbon Cartridge
12. Collection cup lid
13. Collection cup
14. Reaction chamber
15. Airstone
16. Air pump
17. Airline control valve
18. Check valve
19. Airline
20. Shaft
21. Grommets
22. Collection cup drain
23. Sponge

Replacement Parts & Filter Media

Use Aqua One Genuine Spare Parts Only. See your local Aqua One Dealer and look for the number listed below for the spare part you require. Alternatively you will find these numbers on the silver label located on the product.

NanoSkim 40 Impeller	110I
NanoSkim 90 Impeller	111I
NanoSkim 40 Carbon Cartridge	110C
NanoSkim 90 Carbon Cartridge	111C
NanoSkim 40 Sponge	110S
NanoSkim 90 Sponge	111S
NanoSkim 40 Airstone	50031-A
NanoSkim 90 Airstone	50032-A

Installation

1. The protein skimmer comes largely assembled, ensure all parts are in the correct location by referring to the diagram on page 3.

2. Connect the airline hose to the outlet of the air pump. If the airline is not connected to the protein skimmer, the check valve shows the direction of airflow from the air pump to the airstone with an arrow.

3. Remove the carbon cartridge and rinse under tap water. **DO NOT USE DETERGENT OR SOAP.** Place the cartridge back in the skimmer and place the lid back on.

4. Place the protein skimmer on the side or back of the aquarium. Ensure the water level in the aquarium is no less than 5cm from the top of the glass.

5. Place the air pump on a level surface. If necessary, a longer length of airline can be used but note that the longer the airline, the more flow is lost due to back pressure on the pump.

6. Turn the spacer so that it rests against the glass and makes the protein skimmer sit level.

7. Ensure your hands are dry and plug in and switch on both the air pump and the skimmer pump. Use a drip loop as shown on page 2. Switch the power on.

8. Adjust the flow from the air pump by using the airline controller. Adjust the flow through the skimmer using the valve above the pump. Flow should be adjusted so that bubbles are rising through the neck of the skimmer but not readily overflowing into the collection cup.

9. Monitor the operation of the skimmer over the following week as operation will change during the run-in period. Adjust water and air flow as required to achieve optimum operation.

For “wet” skimming (light, tea coloured waste), adjust the flow so that the water level is high in the skimmer and substantial amounts of foam are being forced into the collection cup.

For “dry” skimming (dark, coffee coloured waste), adjust the flow so that the water level is low and only small amounts of foam are being forced into the collection cup.

Maintenance

SPONGE

Remove and rinse the intake sponge weekly to remove any accumulated waste.

PUMP

The impeller should be removed (refer to page 3 for impeller location) and rinsed once a month to remove any buildup. In the event that there is significant calcium buildup on the impeller (or any other part of the pump) it can be soaked in a container of vinegar for 24 hours.

To access the impeller, turn the base of the pump 90° and pull it away from the body of the pump. The impeller sits on a ceramic shaft with rubber grommets at each end. Ensure all these parts are in the pump when it is reassembled.

COLLECTION CUP

The collection cup and attached airline should be rinsed every 2-3 months. Airline should be checked regularly for blockages and replaced if required. After washing the collection cup, the skimmer should be checked daily for the subsequent 3-4 days to ensure water level is correct. Removing the film inside the neck of the collection cup during maintenance can result in slightly reduced effectiveness of the skimmer for a few days. The skimmer can be adjusted until performance is back to normal.

AIRLINE

Check all airline and valves (check valve and control valve) regularly for blockages. Blockages will adversely affect the operation of the skimmer. Replace airline if there is any damage as small leaks will prevent the protein skimmer from functioning optimally.

Trouble Shooting

Specifications

SKIMMER ISN'T PRODUCING ENOUGH BUBBLES

1. Ensure airline control valve is open sufficiently.
2. Airstone may need replacing.

SKIMMER IS COLLECTING NO WASTE

1. Ensure sufficient air is entering the pump. Refer above for solution.
2. Ensure pump is running correctly. Check and clean the impeller.

COLLECTION CUP IS OVERFLOWING

1. Check airline drain. Replace if necessary.
2. Ensure air flow is not too high. Waste exiting the skimmer should be coffee coloured. If the waste is very watery/light in colour, decrease the flow of air being supplied to the airstone.
3. Check the carbon cartridge and replace if necessary. If the cartridge becomes blocked, the water level in the skimmer may rise forcing more bubbles to flow into the collection cup.

Protein Skimmer Model: NanoSkim 40
Dimensions: 12x11.5x20cm
Max Aquarium Volume: 40L
Flow Rate: 240L/hr
Power Requirements: 230 – 240V
Power Consumption: 5.3W
Suitable: Marine

Protein Skimmer Model: NanoSkim 90
Dimensions: 20x13.5x26.5cm
Max Aquarium Volume: 90L
Flow Rate: 480L/hr
Power Requirements: 230 – 240V
Power Consumption: 7.7W
Suitable: Marine

Disposal of used Electrical & Electronic Equipment (Applicable in the European Union and other European countries with separate collection systems)



This symbol on the product or on its packaging indicates that the product must not be disposed of with normal household waste. Instead, it is your responsibility to dispose of your waste equipment by arranging to return it to a designated collection point for the recycling of waste electrical and electronic equipment. By separating and recycling your waste equipment at the time of disposal you will help to conserve natural resources and ensure that the equipment is recycled in a manner that protects human health and the environment. For more information about recycling this product, please contact your local city office, your household waste disposal service or the shop where you have purchased the product.



Aqua One - Guarantee 2 + 1 Year

The additional 1 Year **Extended Guarantee** applies when you REGISTER online with Aqua One. Register your Extended Guarantee at www.aquaone.com.au

About this Guarantee

The Manufacturer or Distributor, of Aqua One goods, is collectively known herein as "Aqua One". Please refer to contact details for Aqua One below or on the applicable Aqua One website. Any product that is covered by its own Guarantee (as enclosed with the product) is subject to the conditions of that Guarantee.

The benefits given to the purchaser, under Guarantee, are in addition to all other statutory rights and remedies which the purchaser has in respect of goods under legislation in the applicable country of purchase. This Guarantee shall not affect any such rights and should be read subject to such legislation.

1.0. Terms and Conditions of Guarantee.

- 1.1. Aqua One warrants to the purchaser, for 2 years from date of original purchase, to repair or replace goods where fault is found due to defective materials or faulty workmanship and where goods do not operate in accordance with the instructions.
- 1.2. All claims for repair or replacement must be made at place of purchase.
- 1.3. The original and dated Proof of Purchase (receipt) must be supplied with all goods claims. Please also provide this Guarantee where possible.
- 1.4. The Guarantee covers the Aquarium against gluing breakdown resulting in leakage.
- 1.5. All goods subject to claim under Guarantee should be prepared for transportation in the original packaging or other comparable packaging which offers the same degree of protection.
- 1.6. Where goods are repaired or replaced under Guarantee, these goods are Guaranteed for the remainder of either the original Guarantee or Extended Guarantee period.
- 1.7. Where claims on inspection reveal goods are in normal working order, Aqua One will request reimbursement of all reasonable costs incurred.

2.0. Other Terms and Conditions – Extended Guarantee

- 2.1. The Extended Guarantee period is for an additional 1 Year and commences on expiration of the standard guarantee period.
- 2.2. Application for Extended Guarantee is FREE of any registration cost to the purchaser on completion of the Extended Guarantee questionnaire which is found on the applicable Aqua One website (refer below).
- 2.3. Upon receipt and acceptance of the questionnaire, Aqua One will forward (by way of email) a Certificate of Extended Guarantee to the purchaser.
- 2.4. For more information on how we collect, hold, use and disclose personal information provided to us, please refer to our Privacy Statement on the Aqua One websites or write to our Privacy Officer, in your country of purchase.
- 2.5. Where Aqua One determines goods are being used in a manner contrary to the instructions, specifications or this Guarantee, Aqua One reserves the right to terminate Extended Guarantee for such goods and will provide written notice to the purchaser.

3.0. Exclusions and Limitations

Where permitted by local law, the following exclusions and limitations apply in regard to Guarantee:

- 3.1. Goods claims where fault is due to, but not limited by a) misuse b) neglect c) abuse d) fire or flood e) normal wear and tear f) accidental breakage g) Acts of God h) mains voltage fluctuation or supply problems i) connection to any voltage other than what is stated on the rating plate j) modification or tampering to electrical cord or plug, k) vermin, insects or foreign object l) liquid spillage or submersion of goods not designed to sustain such use or duress.
 - 3.2. Where inspections reveal goods are in normal working order including where noise or vibration is consistent with normal goods operation.
 - 3.3. Attempted repairs or modifications by unauthorised persons, including but not limited to the drilling of holes in the aquarium glass by unauthorised persons.
 - 3.4. Where the goods factory rating plate has been removed, altered, damaged or is rendered illegible.
 - 3.5. Where goods are not installed, operated or maintained in accordance with Aqua One's goods instructions, specifications or this Guarantee.
 - 3.6. Replacement or repair of worn consumables or replacement of lost goods, parts or components.
 - 3.7. Costs associated with goods transportation, removal, installation, postage or cost of insurance.
 - 3.8. Any damage incurred whilst installing, transporting or moving the goods.
 - 3.9. Subject to certain local statutory rights and obligations to the contrary, and this guarantee shall not affect those rights or obligations, where, to the full extent permitted by law: 1. all express and implied warranties and conditions under statute or general law, are expressly excluded and Aqua One, where permitted, will limit liability as follows and at Aqua One's option to: in regard to goods either a) the replacement of goods or supply of equivalent goods b) the repair of goods or the cost of replacing the goods or of acquiring equivalent goods OR in regard to services either c) the re-supply of services d) the cost to re-supply services.
2. Aqua One will not be liable for any loss or damage, including consequential loss or damage either directly or indirectly, or for any incidental expenses, of any kind, and in any way whatsoever.

The additional 1 Year Extended Guarantee applies when you REGISTER online with Aqua One. Register your Extended Guarantee at www.aquaone.com.au

(1) Consumables include items such as filter media/cartridges, impellers and shafts.

Aqua One may be contacted in: Australia Kong's (Aust.) Pty. Limited PO Box 863, Ingleburn 1890 NSW Australia www.aquaone.com.au
--



www.aquaone.com.au

® Aqua One is a registered trademark.