

Aquis

Aqua One®

Advance
Technically Superior

2250 UV-C / 2450 UV-C



Complete step by step instruction booklet

Important Safeguards

This appliance is not intended for use by children or infirm persons without supervision. Young children should be supervised to ensure that they do not play with the appliance.

Warning: To guard against injury, basic safety precautions should be observed, including the following:

1. Read and follow all safety instructions before using this appliance.

2. Danger: To avoid possible electric shocks, special care should be taken since water is employed in the use of aquarium equipment. For each of the following situations do not attempt repairs yourself. Return the appliance to an authorised service facility for service or discard the appliance.

a) If the filter head falls into water, do not reach for it, unplug it and then retrieve it. If the electrical components of the appliance get wet, unplug the appliance immediately (non immersible equipment only).

b) If the filter shows any sign of abnormal water leakage, immediately unplug it from the power source.

c) Carefully examine the filter after installation. It should not be plugged in when there is water on parts which are not intended to be wet.

d) Do not operate any filter if it has a damaged cord or plug, or if it is malfunctioning, or dropped or damaged in any manner.

A "drip loop" (See the diagram) should be arranged by the user for each cord connecting an aquarium component to a receptacle. The drip loop is the part of the cord below the level of the receptacle or the connector if an extension cord used. It is used to prevent water traveling along the cord and coming in contact with the receptacle.

If the plug or receptacle does get wet, do not unplug the appliance. Disconnect the fuse or circuit breaker that supplies the power to the appliance, then unplug and examine for presence of water in the receptacle.

3. Close supervision is necessary when the appliance is used by or near children.

4. Always unplug the filter from the electrical outlet; when not in use, before putting on or taking off parts, before any type of maintenance, or cleaning.

Never yank the cord to pull it from the outlet. Grasp the plug and unplug to disconnect.

5. Do not use the filter for reasons other than the intended use. The use of attachments that are not recommended or sold by the filter manufacturer may cause the product to be unsafe. This is not recommended.

6. Do not install or store the filter where it will be exposed to weather or temperatures below freezing.

7. Make sure any component mounted on a tank is securely installed before operating it.

8. Read and observe all the important notices on the filter.

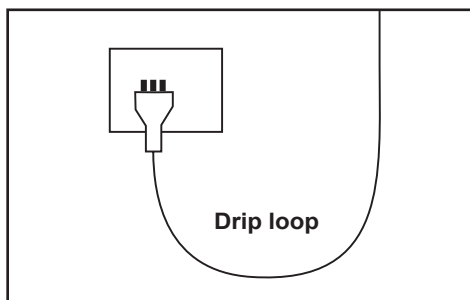
9. Ensure input voltage is the same voltage as your local power supply.

10. If an extension cord is necessary, a cord with a proper rating should be used. Care should be taken to arrange the cord so that it will not be tripped or pulled.

11. A **G.F.C.I** (Ground fault circuit interrupter) & surge protector is recommended for all electrical appliances.

12. Ensure your hand is dry when turning the power switch on/off and when inserting/removing the power cord from the receptacle.

13. If you are in any doubt about the electrical installation or safety of this product you must consult a qualified electrician.



For Guarantee Conditions, please refer to the Guarantee form that is enclosed with this product.

Before First Use / Preparation

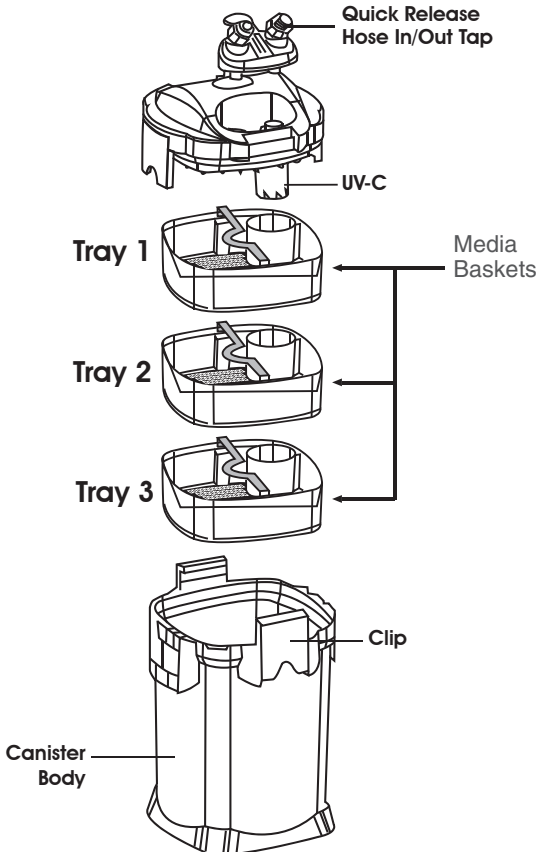
Read and follow all the instructions, even if you feel you are familiar with the product and find a place to keep the instructions handy for future reference. Your attention is drawn particularly to the sections concerning **“IMPORTANT SAFEGUARDS”** and the **“GUARANTEE CONDITIONS”**. Please ensure you retain your original purchase receipt in the event that guarantee service is required.

Carefully unpack the filter making sure you keep all the packing material until all the parts of the product have been found and the product has been assembled.

This product is shipped to you in a factory sealed carton. Should the product malfunction in any way or if the unit is damaged and requires replacement, contact the retailer where the product was purchased for inspection.

Know Your Filter

Pressurised Canister Filter 2250 UV-C / 2450 UV-C

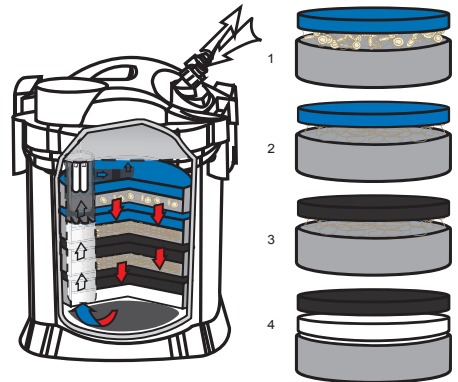
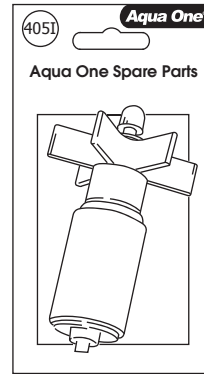


Note: Model 2250 UV-C shown above.
Model 2450 UV-C has 4 media baskets

Replacement Parts & Filter Media

Use Aqua One Genuine Spare Parts Only. See your local Aqua One Dealer and look for the number listed below for the spare part you require. Alternatively you will find these numbers on the silver label located on the product.

2250/2450 Impeller	405I
2250/2450 Wool Pad	405W
2250/2450 15ppi Sponge	405S
2250/2450 35ppi Sponge	406S



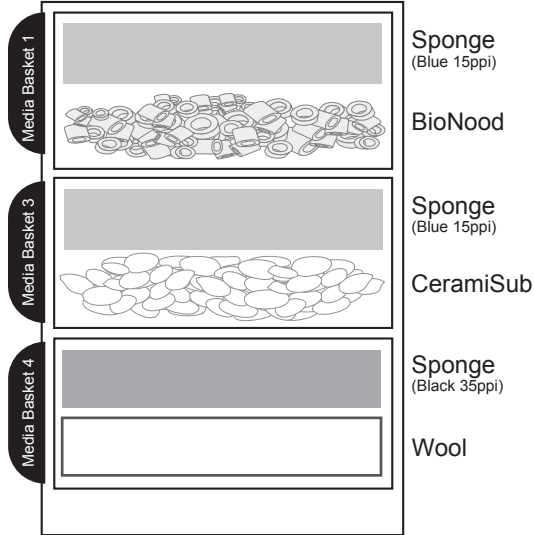
Note: Model 2450 UV-C shown above.
Model 2250 UV-C does not have media basket No. 3

Aquis Advance 2450 UV-C Media Containers

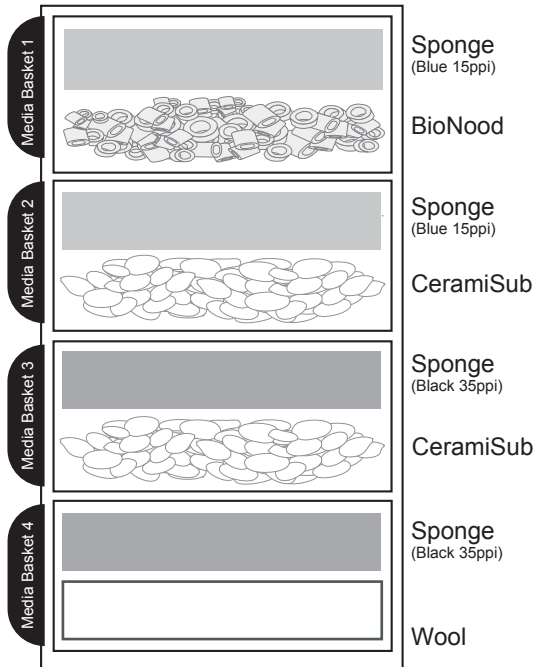
- 1) BioNood Advance + Blue Sponge 15ppi
- 2) CeramiSub Advance + Blue Sponge 15ppi
- 3) CeramiSub Advance + Black Sponge 35ppi
- 4) Black Sponge 35ppi + White Wool Filter Pad

Recommended Filter Media Set Up

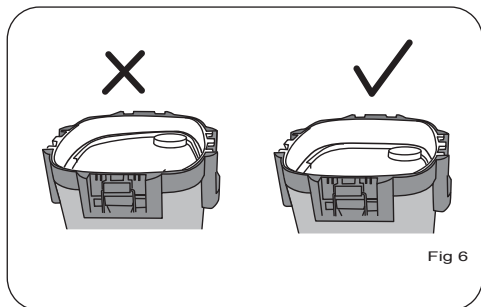
Aquis 2250



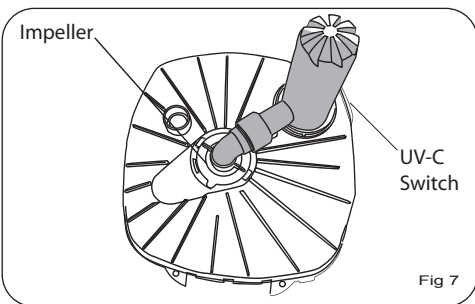
Aquis 2450



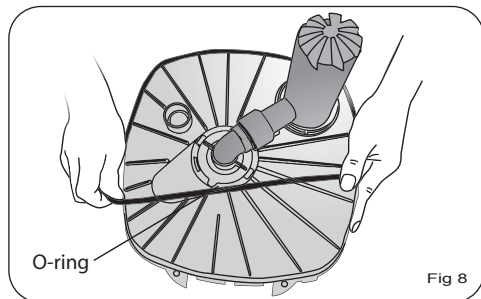
Set Up Instructions



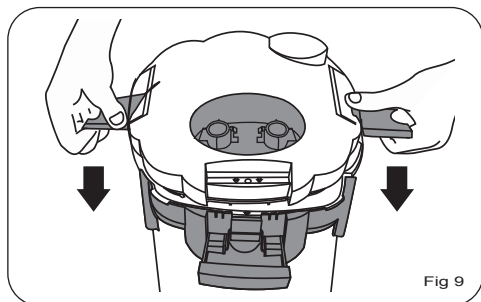
9. Prior to installing the head unit, turn it over so you can see the impeller housing. Make certain that the power cord is not wet and plug it into the receptacle. Turn it on and ensure the impeller is spinning and that the UV-C works. You should be able to hear the impeller spinning and see the blue light from the UV-C. **DO NOT LOOK AT THE BLUE LIGHT FROM THE UV-C FOR MORE THAN A SECOND. DO NOT OPERATE THE UV WITH OUT WATER FOR MORE THAN A FEW SECONDS.** The switch for the UV-C is located at the top of the head unit on the side behind the frosted plastic cap. When the UV light is on the green LED located next to the switch will illuminate, if the UV lamp stops working for whatever reason the LED will turn off. If the impeller does not turn or the UV-C does not light up see *Cleaning Your Filter* for instructions on how to assess the impeller and UV Lamp. Fig 7



10. The O-ring is placed in position during assembly. You will notice that it is lubricated. This lubrication allows the head unit to go on easily, ensures a good water tight seal and makes removing the head unit easier when maintenance is required. **IT IS VERY IMPORTANT THAT ANY TIME THE FILTER IS DISASSEMBLED THE O-RING BE LUBRICATED USING AN AQUARIUM SAFE LUBRICANT.** Fig 8

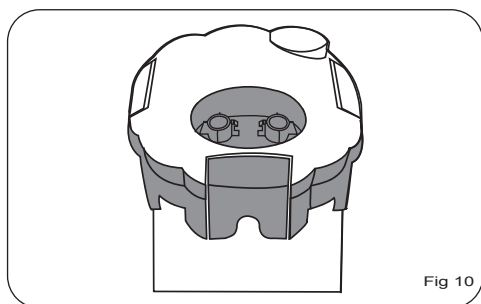


11. Place the head unit back on top of the canister body; ensure the power cord is not jammed between filter head and the canister body. Press down gently to the point where the head will not go any further.



12. Close the 2 handles. Do not force the unit together! If it feels tight do not apply any excess pressure to close it simply, remove the head unit and filter baskets and try again. Fig 9

12. Latch and secure the clips. The filter unit is now ready to be installed. Fig 10

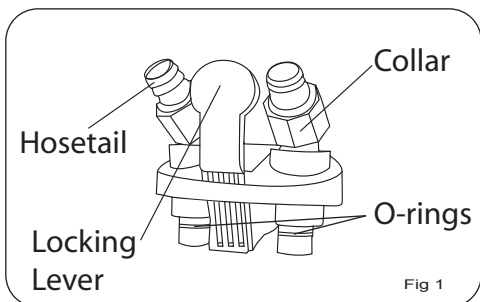


Installation

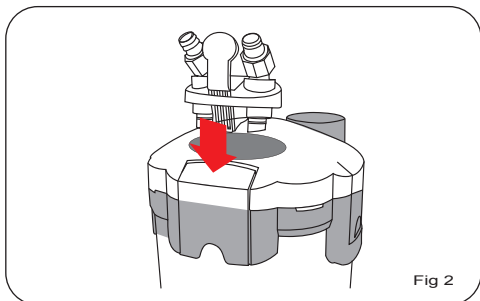
1. Remove all remaining components from the plastic bags.

2. Locate your quick release tap connections. Ensure the collars on the hose tails are all the way in, the locking lever is in the up right position and that the O-rings are lubricated.

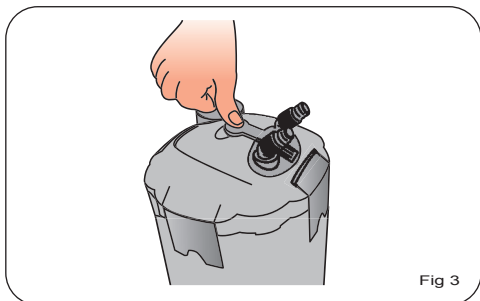
Fig 1



3. Insert the quick release tap connector into the top of your filter unit. Fig 2

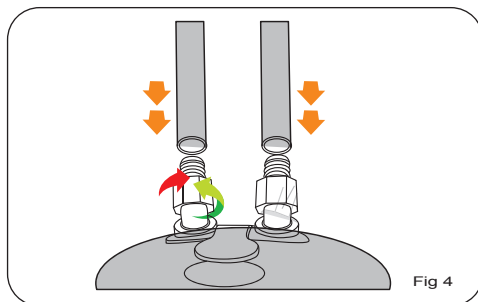


4. Now push the locking lever down. Ensure the tap connector is inserted correctly. Fig 3



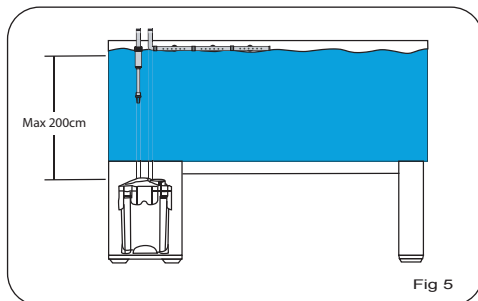
5. Locate your 2 pieces of 32mm hose.

6. Attach one to either hose tail on the quick release tap connector. Push the hose on as far as possible. Screw the collars antic lock wise to lock the hoses into position. It is very important that this is done correctly. Fig 4

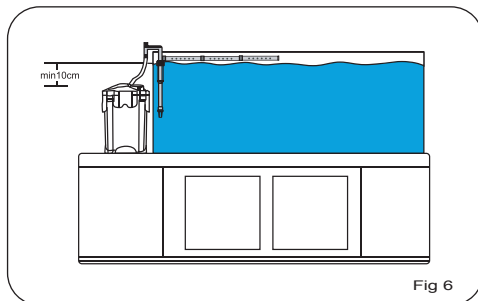


7. Insert the canister in the desired location. Maximum height from the top of the canister to the water level of the aquarium is 200cm.

Fig 5

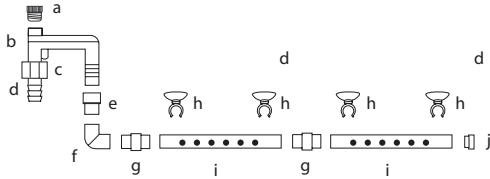


8. And the minimum height is 10cm. Fig 6



9. It is now time to assemble the inlet and the outlet. You will find the required components in the remaining plastic bags.

Installation



1. Cap (a)
2. U Pipe (b)
3. Lock Nut (c)
4. Hose Tail (d)
5. Reducer (e)
6. Elbow (f)
7. Joiner (g)
8. Suction Cup (h)
9. Spray Bar (i)
10. End Cap (j)

10. You will find that the Cap, (a) U Pipe, (b) Locking Nut (c) and Hose Tail (d) come as one piece from the factory. Attach the reducer (e) on to the shorter side of the U Pipe, (b) insert an Elbow (f) into that. Then attach a Joiner (g) onto the other end of the Elbow. (f) Insert the Spray Bar (i) into the other end of the Joiner. (g) Press together firmly. Attach another Joiner (g) followed by the spray bar (i) which has the End Cap (j) inserted in it. Attach Suction Cups (h) to the Spray Bar. (i)

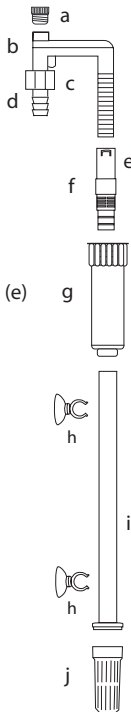


Fig 7

1. Cap (a)
2. U Pipe (b)
3. Lock Nut (c)
4. Hose Tail (d)
5. Surface Skimmer Adjuster (e)
6. Sleeve (f)
7. Surface Skimmer (g)
8. Suction Cup (h)
9. Intake Pipe (i)
10. Strainer (j)

11. Refer to Figure 7 to assist you in assembling the intake. You will find that the Cap, (a) U Pipe, (b) Locking Nut (c) and Hose Tail (d) come as one piece from the factory. So to do the Surface Skimmer Adjuster, (e) Sleeve (f) and the Surface Skimmer. (g) If you wish to adjust how much water is drawn into the filter (once operating) by the Surface Skimmer (g) the Sleeve (f) can be adjusted to the desired level. Attach the Surface Skimmer (g) as a complete unit onto the longer side of the U pipe. (b) Attach the Intake Pipe (i) to the Surface Skimmer (g) then attach the Strainer (j) to the bottom of the Intake Pipe. (i) Attach Suction Cups (h) to the Intake Pipe. (i)

12. Install the inlet first. (One with the Strainer) Place it into the aquarium, stick it to the glass with the Suction Cups on the intake pipe. Fig 8

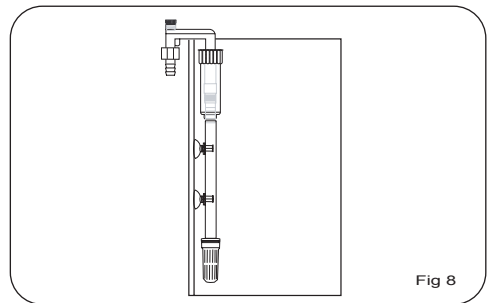


Fig 8

13. Pull the hose from the inlet side of the filter up next to the Hose Tail and line up.

14. Measure a good 10cm more that what you need past the bottom of the Hose Tail.

15. Cut the hose using a sharp blade, try to cut it straight and be careful not to cut yourself.

16. Force the hose on the Hose Tail. You should be able to get it on to but up to the bottom of the Lock Nut. Fig 9

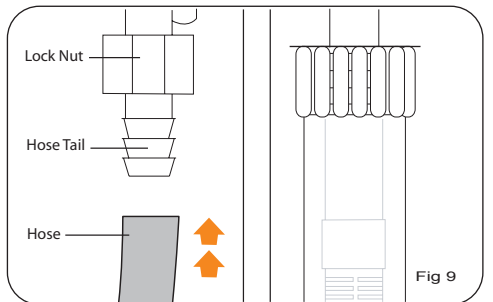
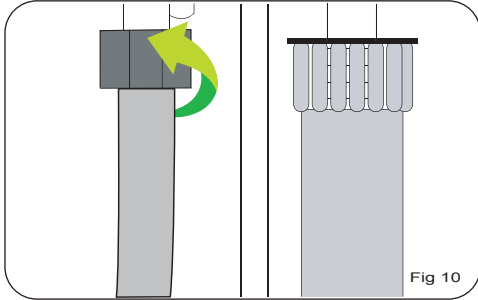


Fig 9

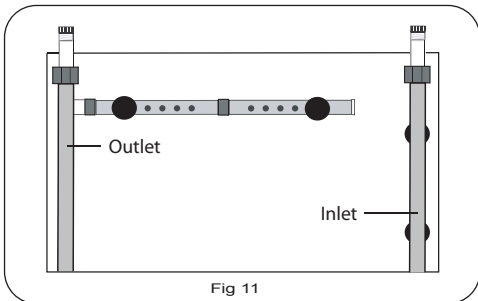
Installation



17. Turn the Lock Nut anti-clock wise to lock the hose into position. Hand tight will do, No tools are required.

18. Repeat steps 14 to 17 for the outlet.

19. Place the Suction caps on the Spray Bar then attach it to the back or side of the aquarium. Fig 11



20. You are now ready to start your filter.

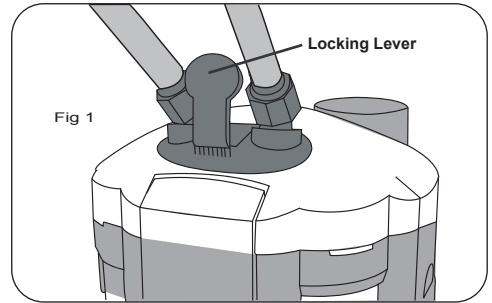
Starting Your Filter

METHOD 1

NOTE: Your aquarium must be filled with water to prime your filter.

ENSURE the Locking lever on your Quick release tap connector is in the up right position. Fig 1

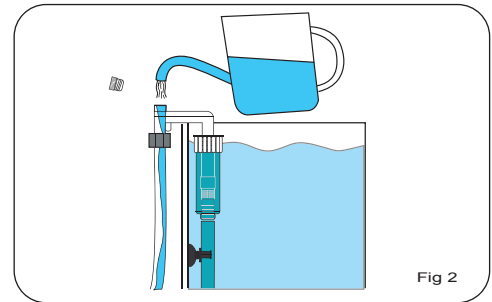
NOTE: Once the filter is running, double check the fittings and seals for water tightness.



1. Remove the Cap at the top of the inlet U Pipe. The one with the Strainer at the bottom of it.

2. Fill a small bucket or water bottle with water from your aquarium.

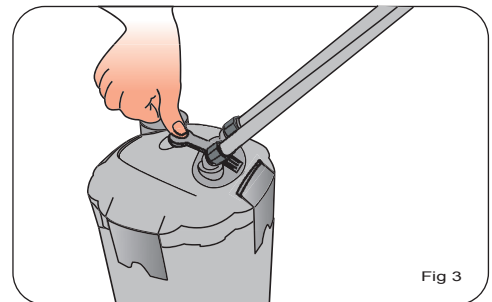
3. Fill the intake hose with water by pouring water down the hole at the top of the U pipe. Fig 2



4. Fill the hose till the point where the water is flowing back into the aquarium.

5. Replace the Cap at the top of the U pipe. DO NOT USE ANY TOOLS TO TIGHTEN THE CAP. Hand tight will do, however it must be tight.

6. Ensure your quick release tap connector is sitting correctly. Open the taps by pressing the Locing Lever down quickly. This will open the taps and start the siphon. Fig 3



Starting Your Filter

7. Wait until the canister is completely full of water. You will know this when water starts to rise up through the outlet hose. Ensure there are no leaks or water on parts of the filter which are not intended to be wet. Plug the unit into the power supply and switch on.

8. Turn the UV on. The switch is located behind the frosted panel at the top of the filter on the side. The green LED will illuminate when the UV Lamp is on.

METHOD 2

1. Ensure the Locking Lever is down in the on position. Temporarily detach the outlet U Pipe from the Spray Bar.

2. Place your mouth over the end of the outlet U Pipe and create siphon effect by sucking on the tube.

3. Once the siphon begins, lower the outlet tube into a bucket.

4. Now wait until the siphon continues to fill the canister and eventually overfill into the bucket via the outlet U Pipe.

5. The filter is primed when the intake pipe and filter is completely filled with water.

6. Now place your thumb over the open end of the U Pipe or lift the Locking latch so it is in the off position.

7. Reattach the U Pipe to the Spray Bar and affix the outlet U Pipe to your aquarium.

8. Push the Locking Lever down to reopen the taps.

9. Now the Canister Filter is ready to be plugged in.

10. Turn the UV on. The switch is located behind the frosted panel at the top of the filter on the side. The green LED will illuminate when the UV Lamp is on.

NOTE: If you require any further information about starting your filter please consult your Aqua One retailer.

Cleaning your filter

1. Turn the canister filter off at the socket and unplug.

2. Place a towel or a shallow container under the canister unit. This will prevent any water spilling onto your cabinet or stand and damaging it.

3. Lift the Locking Lever to turn the taps off. Remove the quick release tap connector.

Fig 1

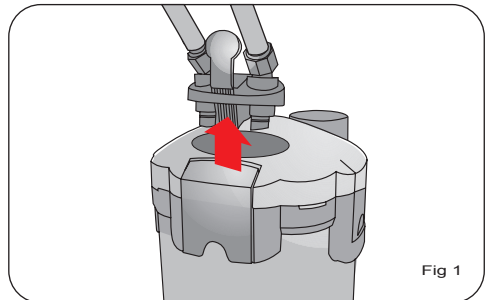


Fig 1

4. Fill a bucket with water from your aquarium and take it to the sink or wherever you intend to clean your filter. Keep in mind cleaning your filter can be messy, cleaning is recommended outside or at a sink. Ensure the area is clean and free from soaps and detergents.

5. Open the canister. Follow directions at the beginning of this manual under the section Set Up Instructions, points 2 to 5.

6. Extend the handles on the media baskets and remove them from the canister body.

7. Remove the filter sponges and the white wool from the media baskets and dunk the baskets with the BioNood and CeramiSub (Or any other type of biological media which may be in them) several times into the bucket. This will clear some of the dirt that can build up and clog the media and prevent the good bacteria which aid in breaking down pollutants in your aquarium from being killed by the chlorine in tap water.

8. Either replace or rinse the white wool pad using a high pressure hose. It should be replaced regularly or when it begins to deteriorate and can no longer be cleaned properly.

Cleaning your filter

9. The sponges can also be rinsed in the bucket of aquarium water (Providing the water is not dirty. Replace if necessary) they will also require replacement eventually as over time they clog and prevent water from traveling through them easily.

10. Empty the bucket of aquarium water into the canister body. (Avoid tipping any dirt which may have settled on the bottom of the bucket into the canister)

Please refer to the Diagram on the next page for the following steps.



11. Place the sponges back into their respective positions and reinsert the media baskets back into the canister body ensuring that each media basket sits nicely on top of the other.

12. The impeller should also be cleaned when ever the filter is disassembled.

13. Turn the head unit over and turn the impeller locking cover anti clock wise and remove it.

14. The impeller should also be cleaned when ever the filter is disassembled.

15. Turn the head unit over and remove the Grommet. Use a small flat headed screw driver.

16. Turn the Threaded elbow anti clockwise until the end of it has come out of the UV Housing.

17. Turn the impeller cover anti clock wise and remove it along with the Threaded Elbow. This will uncover the Impeller.

18. Remove the Impeller from the Impeller Well.

19. If possible remove the Shaft also.

20. Clean the Impeller, Impeller Well and the outlet channel using an Aqua One double ended pipe brush.

21. Use the pipe brush and clean the inlet tube which runs through the base of the head unit to the top where the quick release taps connector sits.

22. Run water through the hole in the middle of the impeller. Clean any debris which may have built up on the shaft off, along with any slime build up on the impeller. Use an aquarium safe lubricant to lubricate the shaft.

23. Put the impeller back together and ensure that it rotates freely on the shaft. Then reassemble the head unit, ensure there is no water on the power cord, plug the head unit in and turn on. Make certain the impeller is spinning and that the UV-C is working. CAUTION: Do not look at the light for more than a second as it may cause damage to your eyes. Turn it off. Reassemble the filter unit. Apply an aquarium safe lubricant to the O-ring on the head unit. This will provide a better water seal and make the removal of the head easier next time the filter has to be disassembled for maintenance.

24. Check your inlet, outlet U Pipes and hoses. If residue has built up on the inside of them remove them from the aquarium. Take to the sink, run hot water through them to loosen the slime. Run an Aqua One double ended pipe brush through them, and flush again with hot water. This build up will reduce the flow rate of your filter considerably, so clean when ever it is possible.

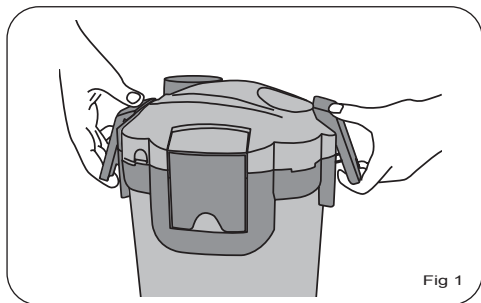
25. Return the canister filter to your cabinet or stand and reattach quick release tap connector.

26. Refer to the section in this instruction manual Starting You Filter for details on restarting the unit.

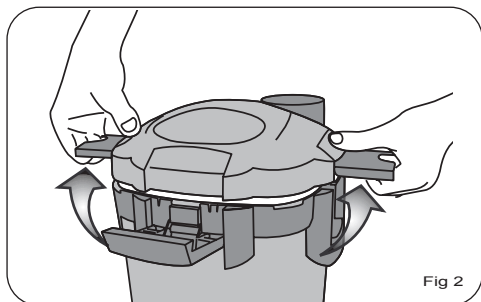
Set Up Instructions

1. Remove the boxed accessory pack and the filter unit from the box.

2. Open the filter unit. To do this release the 2 clips located on either side of the filter. Fig 1



3. Lift the head unit off the canister body. To do so lift the other 2 handles, this will release the seal and allow you to remove the head unit. Place it somewhere safe where it will not be stepped on or broken. Fig 2

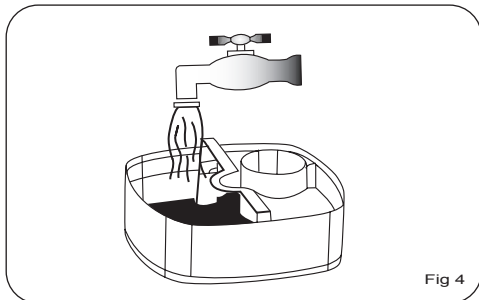


4. Take the canister body to the sink. Ensure the area is clean and free from detergents.

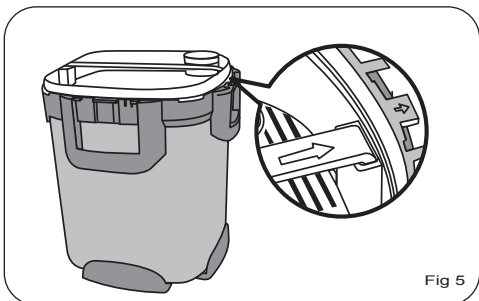
5. Remove the filter media baskets from the canister. Fig 3



6. Follow the filter media setup instructions on the previous page which applies to your filter. Remember to remove all media from the plastic bags and rinse in tap water to remove excess dust. The simplest way to do this is empty the correct media into its basket and run tap water through it. Rinse the inside of the canister body in tap water also, remember **DO NOT USE ANY SOAPS OR DETERGENTS**. Fig 4

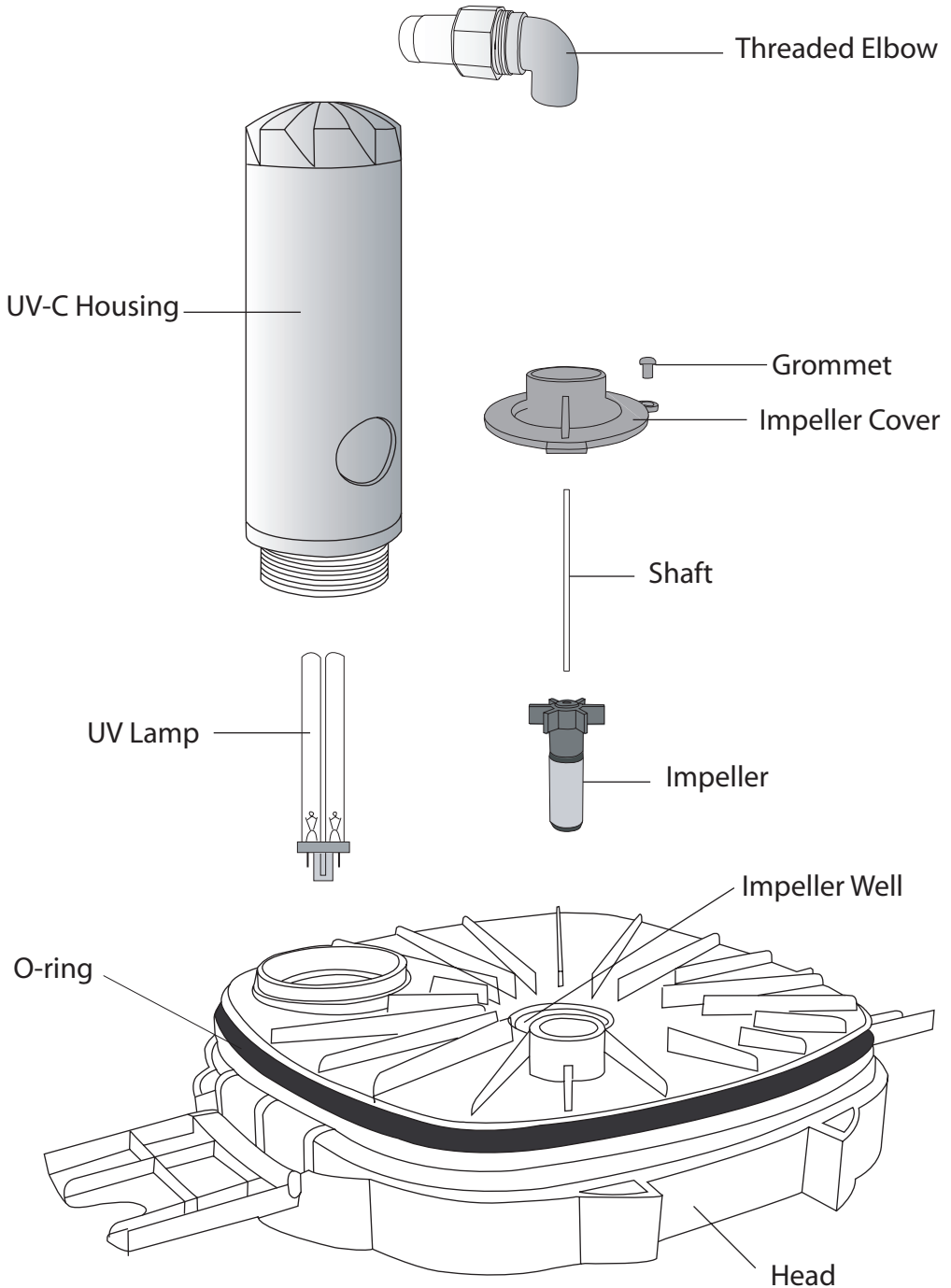


7. Once all the filter media and the canister have been washed and the sponges have been inserted into the filter baskets place the filter media baskets in the correct order (Refer to previous page) back into the canister body. Ensure the arrows on the filter media baskets and the canister body all line up. Fig 5



8. Ensure the filter media baskets are sitting flat on top of each other. You will notice there is one basket which is different to the others. This must be the last tray to be inserted. Fig 6

Cleaning your filter



Changing your UV Lamp

1. Refer to the previous section Cleaning Your Filter, which will detail how to open the Canister filter.
2. Retract the Threaded Elbow from the UV Housing by turning it anticlockwise. There is no need to remove the Impeller.
3. Turn the UV Housing anticlockwise to remove. Do this gently as the glass sleeve with in the Housing is delicate and will require replacement if it is broken.
4. Remove the old UV Lamp from the tomb stone. Avoid touching the glass part of the Lamp, instead use a tissue or soft cloth to remove it.
5. Remove the new Lamp from its packaging, again **DO NOT TOUCH** the glass part of the Lamp use a tissue or soft cloth and insert it into the tomb stone.
6. Replace the UV Housing and Threaded Elbow.
7. Ensure there is no water on parts which are not intended to be wet.
8. Plug the head in and turn it on. Ensure the Impeller is working and the UV is operating. The LED should illuminate to indicate the Lamp is working. **CAUTION: DO NOT LOOK AT THE UV FOR MORE THAN A SECOND.**
9. Reassemble the unit and refer to the section in this instruction manual Starting Your Filter for details on restarting the unit.

Trouble Shooting

THE FILTER UNIT IS LEAKING

1. Check all O-rings are in place and that they are not damaged or soiled.
2. Re-apply aquarium safe lubricant.
3. The media baskets may not be aligned properly.
4. Ensure the quick release tap connector is inserted correctly and locked into position.

THE FILTER WILL NOT PRIME

1. Check tubing for kinks.
2. Make sure the Quick release tap connector is inserted correctly.
3. The aquarium needs to be filled.
4. Make sure the intake U pipe and/or intake strainer is not blocked.
5. Ensure the hoses are connected to the unit correctly. **IN to IN** and **OUT to OUT**.
6. Ensure the canister has no water in it.

THE FILTER WILL NOT START

1. As per the previous tips.
2. Check the impeller and shaft are in good condition.
3. Verify the filter is plugged in.

LOW WATER FLOW

1. As per both previous tips.
2. Clean the filter media.
3. Clean the inlet and outlet U pipes.
4. Clean all tubing.

BOTH WATER & AIR COMING FROM OUTLET PIPE

1. Leave 3-5 minutes.
2. Make sure an air stone is not operating near the intake strainer.
3. Check all tubing is connected firmly.
4. Check all O-rings and re-apply aquarium safe lubricant.
5. Gently rock filter back and forth trying to discharge the air in the canister.

FILTER IS MAKING NOISE

1. As per previous tips.
2. Outlet or inlet flow is restricted.

MY AQUARIUM HAS GONE GREEN

1. Check that the UV Lamp is working. The LED will turn off if the Lamp has stopped working.
2. Replace the UV Lamp every 12 months.

Specifications

Notes

Canister Model: AQUIS 2250 UV-C
Number of Media Baskets: 3
UV Lamp: 5W
Dimensions: 32 x 42 x 32cm
Max Aquarium Volume: Up to 300L
Operating Flow Rate*: 1000L/hr
Maximum Flow Rate:** 1400L/hr
Max Head Height: 2.0M
Filter Volume: 18 Litres
Power Requirements: 220 ~ 240V
Power Consumption: 56W
Suitable: Cold water, Tropical, Marine

Canister Model: AQUIS 2450 UV-C
Number of Media Baskets: 4
UV Lamp: 5W
Dimensions: 32 x 49 x 32cm
Max Aquarium Volume: Up to 350L
Operating Flow Rate*: 1100L/hr
Maximum Flow Rate:** 1500L/hr
Max Head Height: 2.2M
Filter Volume: 22 Litres
Power Requirements: 220 ~ 240V
Power Consumption: 62W
Suitable: Cold water, Tropical, Marine

* Operating flow rates are based on a typical set-up with the canister filter placed under the aquarium, in a cabinet complete with filter media, pumping to a total height of 120cm, not including spray bar or duck bill attachment.

** Maximum flow rates are based on measurements taken as the water exits the filter unit when it is positioned next to the aquarium with no filter media in the canister.



Precision Manufactured in the P.R.C.
Designed in Australia by Aqua One
Distributed in Australia by:
Kong's (Aust.) Pty. Limited
48 Williamson Rd. Ingleburn.
2565 NSW Australia.

Distributed in New Zealand by:
Kong's (NZ) Limited
52 Glenlyon Avenue. Greerton.
Tauranga New Zealand.

Distributed in Hong Kong by:
Kong's Aquarium Supplies Co., Ltd
No 31, 3/F Thriving Industrial Centre
26-38 Sha Tsui Road, Tsuen Wan,
Hong Kong.

Distributed in the UK by:
Kong's (UK) Limited,
C/O Aqua Pacific UK Ltd.
PO Box 268
Romsey Hampshire
SO51 0WW
United Kingdom.



www.aquaone.com.au
© Aqua One and Kong's are registered trademarks.

Aqua One - Guarantee 2 + 2 Year

Congratulations on your purchase of a quality Aqua One product. This product will last for many years under normal usage the guarantee commences from the day of purchase. You must provide proof of purchase when you submit your equipment for repair under guarantee.

The benefits given to the purchaser by the manufacturers guarantee are in addition to all other rights and remedies which the purchaser has in respect of the equipment under the legislation of the appropriate country of purchase.

Your 2 year guarantee can be extended by a further 2 years upon registration with the distributor. This can be done online at the address below or by completing the extended guarantee registration card and returning by post to the address of your country of purchase.

www.aquaone.com.au

General Guarantee Conditions:

1. All claims for guarantee service should be made to the place of purchase.
2. You must provide proof of purchase when you submit your equipment for repair under guarantee.
3. This guarantee extends only to defects occurring in materials or workmanship under normal use of the equipment when operated in accordance with the supplied instructions.
4. Replacement equipment is guaranteed for the remainder of the original manufacturer's guarantee period.

Guarantee does not cover:

- a. Cost of freight, postage or the cost of insurance.
 - b. Service costs arising from failure to correctly adjust the controls of the product or to clean the hoses, filter media, impellers, pump heads, failure to observe the manufacturer's instructions or inspections that reveal that the equipment is in normal working order.
 - c. Equipment failures caused by misuse, neglect, normal wear and tear, accidental breakage, repairs or modification by unauthorised persons, lightning strikes, mains voltage fluctuation, earthquakes, vermin infestation or liquid spillage.
 - d. Consumables, such as impellers, shafts, filter cartridges, filter media, sponges, wool, light tubes, lamps, bulbs, glass sleeves or starters.
 - e. In no event will the manufacturer or distributor of that country be liable for any consequential or incidental damage including, but not limited to loss of livestock, property damage, damage to equipment, appliances, furnishings, loss of life, personal injury, lost profits or wages arising from the use of this product or from failure of this product.
 - f. Damaged incurred in transit resulting from inadequate packing.
5. It is recommended that all equipment subject to claim should be prepared for transportation in its original packaging or other suitable packaging which offers the same degree of protection.

Aqua One[®]

Keep an eye out for these Aqua One products at your local retailer...



Fish keeping has never been easier...

Aqua One specialises in all of your aquarium needs.

Aqua One uses state of the art technology which results in the most efficient and superior aquarium products.

The Aqua One range includes a wide range of curved glass aquariums, air pumps, filters, power heads, heaters, reflectors, under water lighting, along with fish foods, cleaning and maintenance accessories and decorations.