

AquaReef



Aqua One®

300 / 400

Inspiring Excellence in Fish Keeping!



Instruction version: 28/03/2011

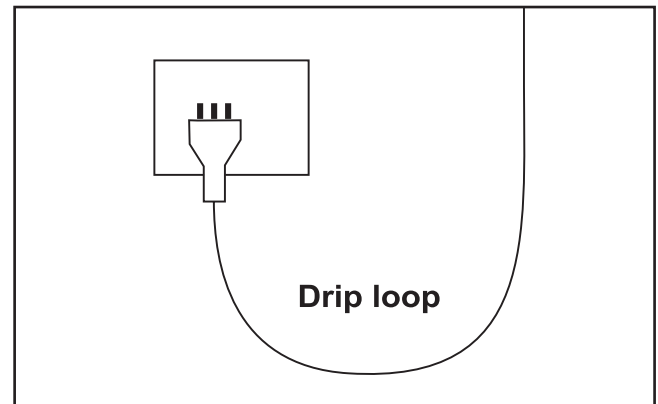
www.aquaone.com.au

Important Safeguards

To guard against injury, basic safety precautions should be observed, including the following:

1. Read and follow all safety instructions and important notices in these instructions as well as on the product itself.
2. This appliance is not intended for use by children or infirm persons without supervision. Young children should be supervised to ensure that they do not play with the appliance.
3. To avoid possible electric shocks, special care should be taken since water is employed in the use of aquarium equipment. For each of the following situations do not attempt repairs yourself. Return the appliance to an authorised service facility for service or discard the appliance.
 - a. If the appliance or any electrical component of the appliance (non-immersible equipment only) falls into the water or gets wet, do not reach for it. Unplug it and then retrieve it.
 - b. If the appliance shows any sign of abnormal water leakage, immediately unplug it from the power source.
 - c. Carefully examine the appliance after installation. It should not be plugged in if there is water on parts which are not intended to be wet.
 - d. Do not operate the appliance if it has a damaged cord or plug, or if it is malfunctioning, or dropped or damaged in any manner.
4. A “drip loop” (see graphic) should be arranged for each cable connecting an aquarium to a power supply. The drip loop is the part of the cable below the level of the power supply. It prevents water travelling down the cable and coming into contact with the power supply. If the plug or the socket does get wet, do not unplug the appliance. Disconnect the fuse or circuit breaker that supplies the power to the appliance, then unplug and examine for presence of water in the socket.
5. Always unplug the appliance from the electrical outlet when not in use, before putting on or taking off parts, before any type of maintenance or cleaning.
6. Never yank the cable to pull it from the socket. Pull the plug carefully to disconnect.
7. Do not use the appliance for reasons other than the intended use. The use of attachments that are not recommended or sold by the manufacturer may cause the product to be unsafe. This is not recommended.

8. Do not install or store the appliance where it will be exposed to weather or temperatures below freezing.
9. Make sure any component mounted on a tank is securely installed before operating it.
10. Ensure input voltage is the same voltage as your local power supply.
11. If an extension cable is used it should have the proper rating. Care should be taken to arrange the cord so that it will not be tripped or pulled.
12. A G.F.C.I (Ground fault circuit interrupter) & surge protector is recommended for all electrical appliances.
13. Ensure your hands are dry when turning the power switch on/off and when inserting/removing the power cable from the socket.
14. If you are in any doubt about the electrical installation or safety of this product you must consult a qualified electrician.



For Guarantee Conditions, please refer to the Guarantee form that is enclosed with this product.

All products are supplied with fitted plugs. This plug should not be tampered with in any way or removed. Removal or tampering with the plug invalidates our guarantee offered with this product.

For UK a 3 pin adaptor is supplied with the product and this must be used.

Before First Use / Preparation

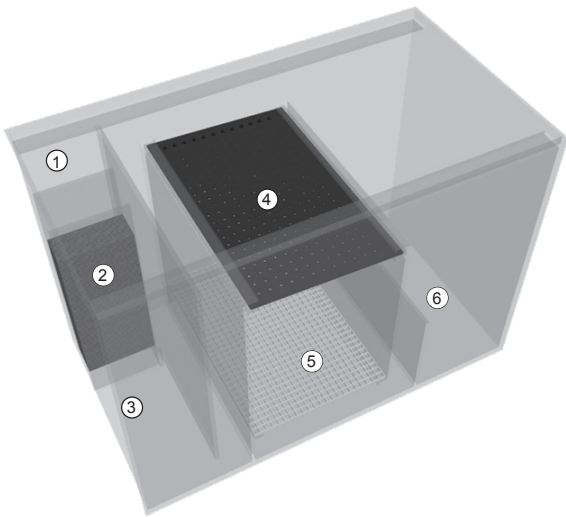
Read and follow all the instructions, even if you feel you are familiar with the product and find a place to keep the instructions handy for future reference. Your attention is drawn particularly to the sections concerning **“IMPORTANT SAFEGUARDS”** and the **“GUARANTEE CONDITIONS”**. Please ensure you retain your original purchase receipt in the event that guarantee service is required.

Carefully unpack the aquarium making sure you keep all the packing material until all the parts of the product have been found and the product has been assembled.

This product is shipped to you in a factory sealed carton. Should the product malfunction in any way or if the unit is damaged and requires replacement, contact the retailer where the product was purchased for inspection.

Know Your Filter

Aquareef 300 / 400



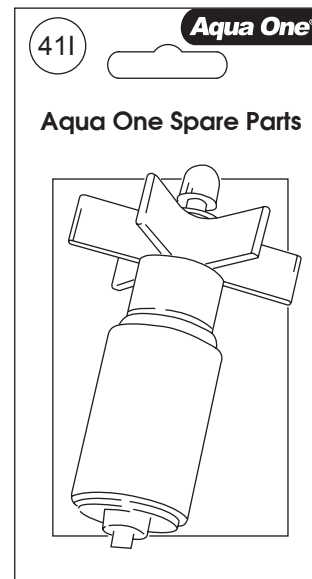
Set up/Parts

1. Inlet
2. Sponge
3. Protein Skimmer
4. Drip Tray
5. Bio Balls
6. Return Pump

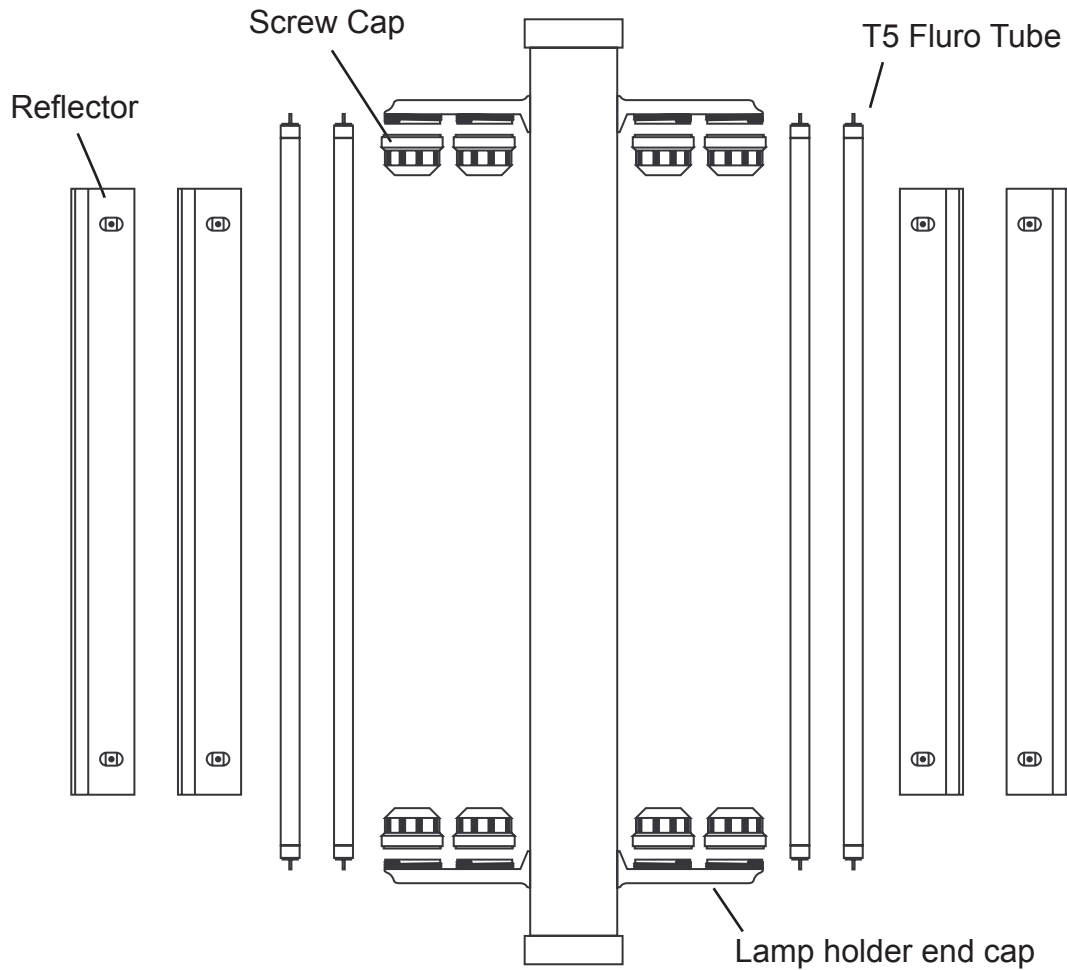
Replacement Parts & Filter Media

Use Aqua One Genuine Spare Parts Only. See your local Aqua One Dealer and look for the number listed below for the spare part you require. Alternatively you will find these numbers on the silver label located on the product.

300/400 15ppi Sponge 420S



Know Your Light Unit



Changing Light tubes

1. Turn power off and remove the light unit from the aquarium.

2. Remove the stainless steel reflectors from the light tubes. They clip onto the light tube.

CAUTION: the reflectors may have sharp edges.

3. Loosen off the screw caps from each end of the tube.

4. Gently twist the tube either clockwise or anti clockwise and slide it out from the tomb stone to remove.

5. Take screw caps off old tubes and place them onto the new ones.

6. Reassemble the light unit in reverse order.

CAUTION: be gentle when reattaching the reflectors to the light tubes.

7. Prior to reinstalling the light unit on the aquarium, plug it in and turn it on to ensure it is working correctly.

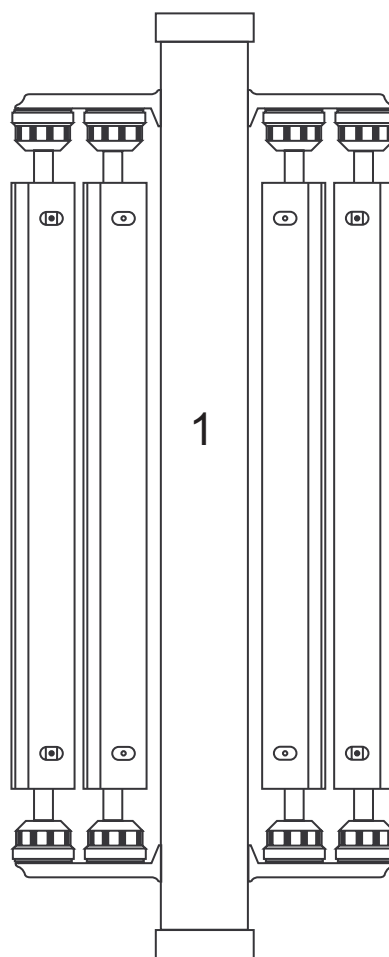
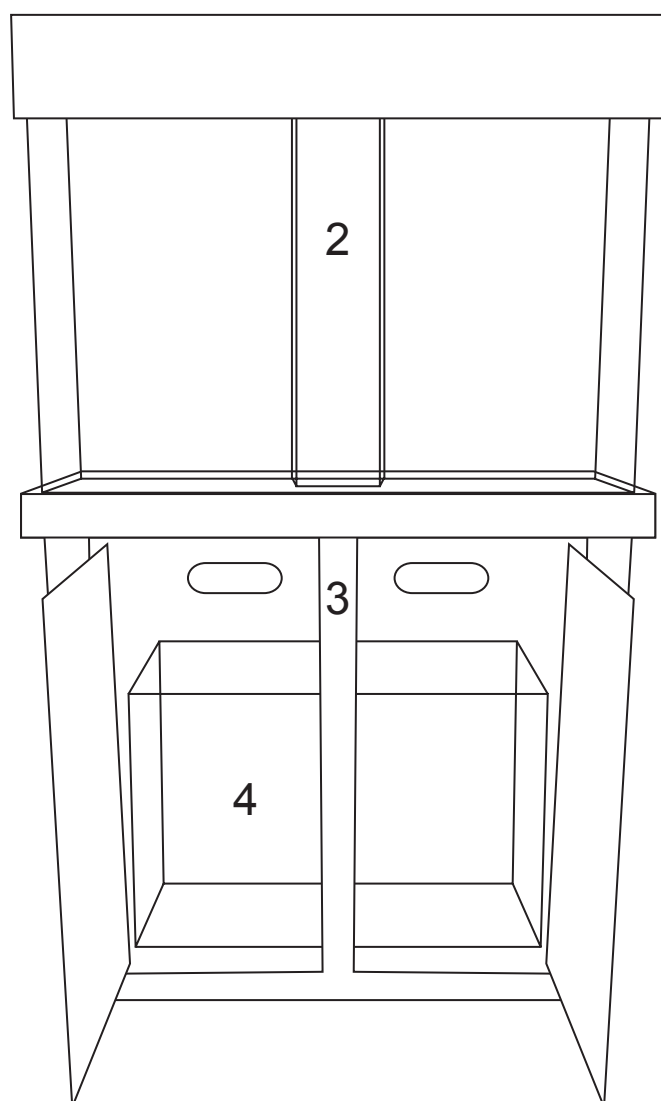
If you are not confident in performing this task, contact a qualified electrician or take the light unit to you Aqua One retailer for assistance.

Set Up Instructions

Your aquarium will be in 2 separate boxes, one will contain the aquarium and light unit, the other will contain the cabinet with sump in place and the plumbing components. Place the cabinet in position and carefully place the aquarium on the cabinet. Ensure the aquarium is centered on the cabinet.

The protein skimmer mounts externally on the left hand side of the sump. Refer to the protein skimmer instructions for installation.

Two glass lids are provided.

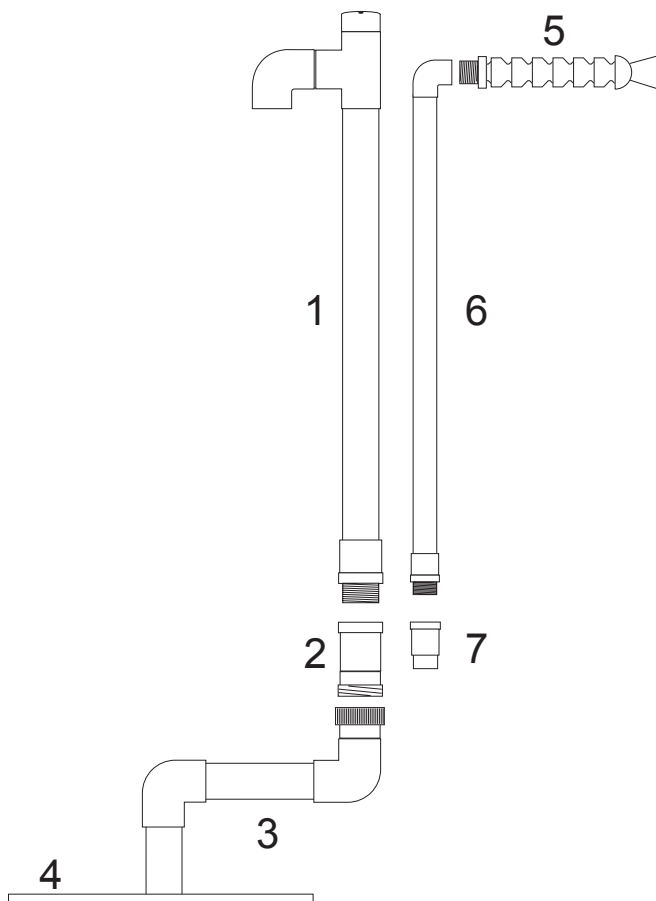


1. T5 Light unit
2. Aquarium
3. Cabinet
4. Sump filter

Set Up Instructions

All plumbing components are already glued into place except where threaded joints are required for assembly into the aquarium or to allow access for maintenance. Two people will be required to connect the plumbing through the base of the aquarium, one to access from above the weir and one to hold pipes in place below the aquarium.

1. Insert the threaded end of the drain pipe (1) into the larger hole in the base of the weir. Ensure the rubber grommet is placed between the glass and the connection.
2. Attach the lower drain pipe (2) to the male thread beneath the aquarium. Ensure a rubber grommet is in place beneath the glass. Do NOT overtighten, hand tightened is sufficient.
3. Repeat step 1 and 2 with the return pipes (6 & 7). Ensure rubber grommets are used on both sides of the glass and the threaded elbow at the top of the return pipe is facing towards the front of the aquarium.



4. Feed the lower elbow (3) through the lid (4). The elbow should be facing the lower drain pipe so they can be connected using the barrel union.

5. Attach the flexible outlet (5) to the return pipe. The threaded section should pass through a hole in the overflow grill.

6. Ensure the hole in the top of the drain pipe remains free, this will minimise noise caused as water exits the aquarium.

7. Follow the instructions provided with the return pump to install into the sump. Place the pump in the position noted on page 5 and **use the elbow intake** as described in the instructions. A short length of flexible hose is provided to connect the pump to the return pipe (7). A hose clamp is also provided to secure the hose onto the pipe.

8. Unpack the supplied filter media and place in the locations shown on page 5. Place the lid on the filter and connect the barrel union (2 & 3)

9. Fill the aquarium with water such that the water overflows into the sump and fills the last section (where the return pump sits) to about 5cm above the **maximum operating water level** mark. When running, the water level should always remain above the minimum operating water level mark.

10. The heater should be placed in the first (left) section of the sump where the water level is highest and stays constant.

NOTE: Plumbers tape is supplied on threaded fittings; it is highly recommended that this be replaced if the plumbing is disconnected at any time.

Maintenance

For maintenance instructions regarding the light unit and return pump, refer to the instruction booklets provided with each item.

DAILY:

Feed your fish as per instructions on your fish food container.

Check temperature

Ensure all equipment is running correctly.

Ensure water level is safely above the **minimum operating water level** mark. When topping up evaporated water, always use dechlorinated tap water or suitably filtered water. When water evaporates from the aquarium, salt remains in the water so topping up with salt water will increase the salinity of the aquarium. Check salinity after topping up.

WEEKLY:

Test water parameters including pH, ammonia, nitrite, nitrate, phosphate, carbonate hardness and specific gravity (salinity). If you are keeping coral or other sensitive marine animals you may wish to perform further testing. Seek advice from your marine aquarium specialist.

Use quality test kits, Aqua One have a range of test kits (sold separately) which will allow you to easily and accurately monitor your water quality.

Some species require specific water conditions. Please seek advice from your marine aquarium specialist.

FORTNIGHTLY: 25% water change

What you will need: A bucket, gravel cleaner, towel, algae scraper, water conditioner and either synthetic salt or premixed/natural salt water. The fish and corals do not need to be removed while performing a water change.

1. Wash your hands.

2. Mix up your salt water according to the directions on the packaging of the salt mix. Or, have your premixed/natural salt water ready.

3. Check the pH, temperature and specific gravity of both the aquarium water and the new water. Make any adjustments that need to be made to the new water. You may want to purchase a second heater to warm the new water.

4. Once the water is ready to use, remove the light unit and glass lids and place them somewhere safe away from the water where they will not be broken or damaged.

5. Turn the heater and pump off.

6. Place a towel on the floor in front of the aquarium to guard from water spillage.

7. Use an algae scraper and gently remove any algae that is growing on the glass.

8. Using a gravel cleaner, remove 25% of the aquarium water. Take note of how much water is removed and be sure to have enough prepared water to replace all that is removed.

9. Remove the sponge from the sump and rinse it in water that has been removed from the aquarium.

10. Refill the aquarium using the prepared water to approximately 10cm above the **minimum operating water level** mark.

11. Turn the heater and pump back on and ensure the water level is safely above the **minimum operating water level** mark.

12. Allow the aquarium to run for 30 minutes then check the temperature, specific gravity and pH. Adjust if necessary.

13. Replace the glass lids and light unit.

Trouble Shooting

BUBBLES ARE COMING OUT THE OUTLET INTO THE AQUARIUM

1. The water level in the sump is too low. Check specific gravity after topping up to the correct level.
2. The elbow has become loose or come off the pump inlet.

WATER FLOW INTO THE AQUARIUM HAS DROPPED

1. Pump needs to be cleaned. Refer to maintenance instruction provided with pump.
2. Outlet is blocked. Remove and clean the flexible outlet.

DRAIN PIPE IS MAKING A GURGLING NOISE

1. Air intake may be blocked. Remove and rinse in fresh water, salt build up can cause a small blockage
2. There is a blockage in the drain pipe. Remove air intake and check pipe for blockage.

SUMP HAS TO BE REMOVED

300: In order to remove the sump all plumbing must be disconnected from the aquarium and sump. Ensure the weir is empty before disconnecting plumbing. Drain enough water from the aquarium that it can be slid across the cabinet. Slide the tank approximately 50mm to the right. There are 2 screws located at the top of the side panel. Remove these and slide the panel up.

400: In order to remove the sump, the entire aquarium must be drained. Disconnect the barrel union that connects the plumbing from the tank to the weir. There are 4 screws holding the centre support in place. These can be removed to allow the removal of the support which in turn allows the sump to be removed.

Specifications

Aquarium Model: AquaReef 300
Overall Dimensions: 98 x 52 x 157cm
Aquarium Volume: 300L
Glass Thickness: 10mm

Return Pump Flow Rate: 3500L/hr
Light Wattage: 4 x 39W T5
Power Requirements: 220 ~ 240V
Suitable: Tropical, Marine

Aquarium Model: AquaReef 400
Overall Dimensions: 128 x 52 x 157cm
Aquarium Volume: 400L
Glass Thickness: 10mm

Return Pump Flow Rate: 3500L/hr
Light Wattage: 4 x 54W T5
Power Requirements: 220 ~ 240V
Suitable: Tropical, Marine

Disposal of used Electrical & Electronic Equipment (Applicable in the European Union and other European countries with separate collection systems)



This symbol on the product or on its packaging indicates that the product must not be disposed of with normal household waste. Instead, it is your responsibility to dispose of your waste equipment by arranging to return it to a designated collection point for the recycling of waste electrical and electronic equipment. By separating and recycling your waste equipment at the time of disposal you will help to conserve natural resources and ensure that the equipment is recycled in a manner that protects human health and the environment. For more information about recycling this product, please contact your local city office, your household waste disposal service or the shop where you have purchased the product.