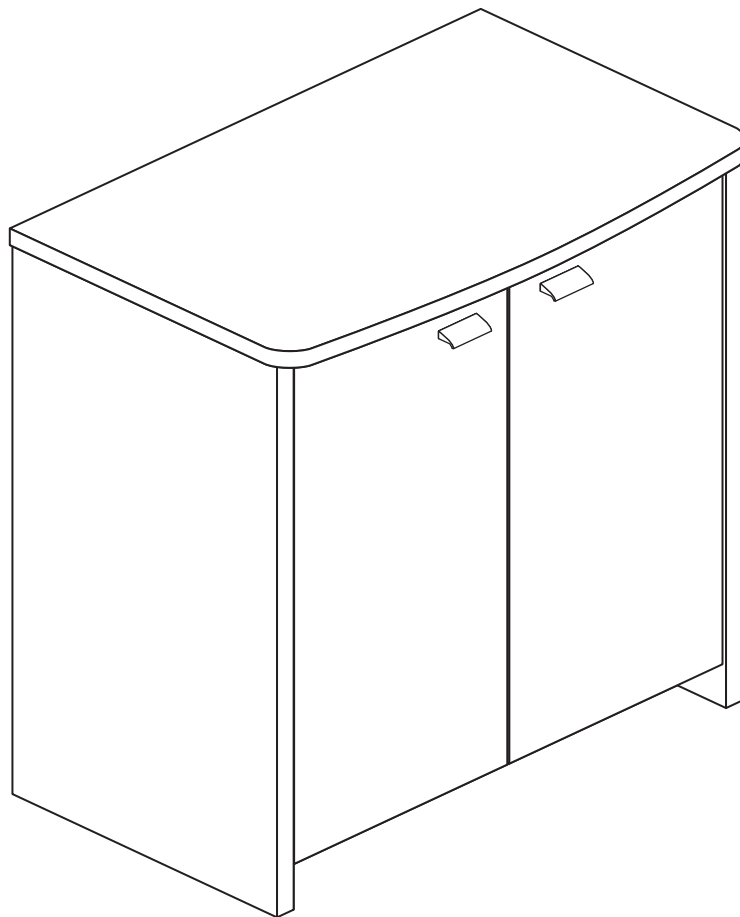


Assembly Instructions

Please keep for future reference



AquaStyle 620



Version 1 : 27/11/2013

Important - Please read these instructions fully before starting assembly

ALR2948

Safety and Care Advice

Important - Please read these instructions fully before starting assembly

- Warning: This unit weighs approximately 17kgs. Please lift with care.
- Check you have all the components and tools listed.
- Remove all fittings from the plastic bags and separate them into their groups.
- Keep children and animals away from the work area, small parts could choke if swallowed.
- Parts of the assembly will be easier with 2 people.
- Make sure you have enough space to layout the parts before starting.
- Assemble the item as close to its final position (in the same room) as possible.
- Assemble on a soft level surface to avoid damaging the unit or your floor (use opened out unit carton).
- We do not recommend the use of power drill/drivers for inserting screws, as this could damage the unit. Only use hand screwdrivers.
- Safety note: If there is any chance of this unit being pulled over by children etc. it is recommended that the unit is secured to a wall using suitable fixings (not supplied).
- Dispose of all packaging carefully and responsibly.



Care and maintenance

- Only clean using a damp cloth and mild detergent, do not use bleach or abrasive cleaners.
- From time to time check that there are no loose screws on this unit.
- This product should not be discarded with household waste. Take to your local authority waste disposal centre.

Contact Us

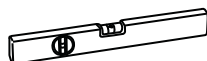
Aqua Pacific UK Ltd.
Unit 10, Oriana Way
Nursling Industrial Estate
Southampton
SO16 0YU

Tel +44 (0) 2380 734000
Fax +44 (0) 2380 740200
Sales@aquapacific.co.uk

Tools



Rule



Spirit level



Cross-head screwdriver



Scissors



Hammer



Eye protection
(when using a hammer or drill)



Electric drill
(do not use for fitting screws)

Panels & Fittings

Please check you have all the panels and fittings listed below



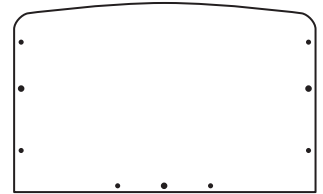
1 Left Side (D2696A)
(728 x 350mm)



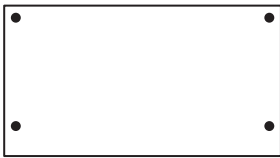
2 Right Side (D2697A)
(728 x 350mm)



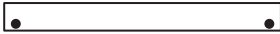
3 Back (D2698A)
(728 x 396mm)



4 Top (D2695A)
(623 x 392mm)



5 Base (D2699A)
(572 x 311mm)



6 Plinth (D2700A)
(572 x 57mm) x 2



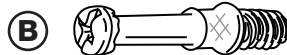
7 Left Door (D2701A)
(662 x 282mm)



8 Right Door (D2709A)
(662 x 282mm)



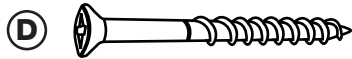
A Wooden Dowel (F22) x 7



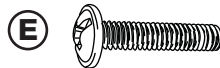
B Large Metal Dowel (F901) x 14



C Large Locking Nut (F900) x 14



D 45mm Screw (F65) x 2



E 19mm Screw (F461) x 4



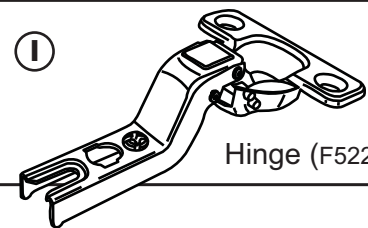
F 13mm Screw (F79) x 1



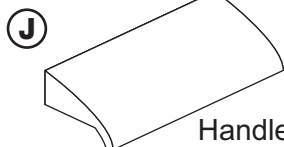
G 13mm Screw (F63) x 8



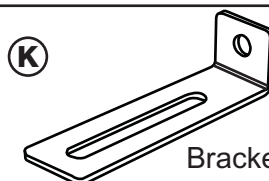
H Hinge Plate (F523) x 4



I Hinge (F522) x 4



J Handle (F251) x 2



K Bracket (F327) x 1

Step 1

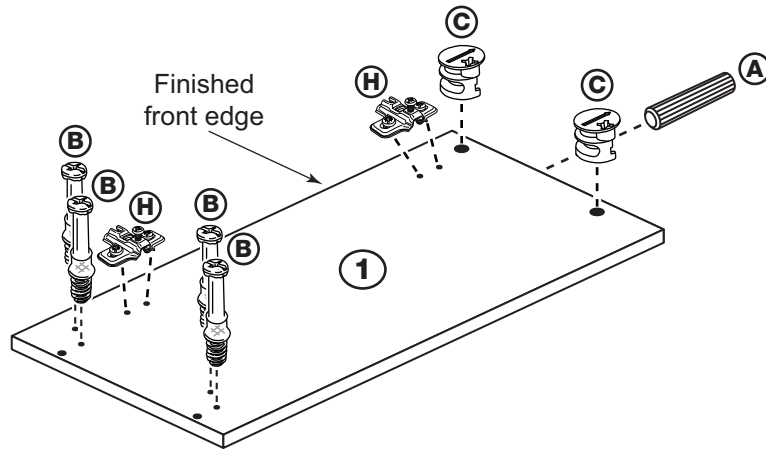
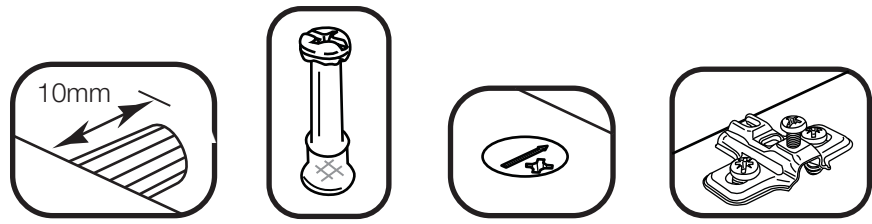
Prepare the Left Side

Tap a Wooden Dowel into the Left Side.

Screw 4 Large Metal Dowels into the Left Side.

Insert 2 Large Locking Nuts into the Left Side.

Fit 2 Hinge Plates onto the Left Side, making sure that the slot is facing towards the finished front edge.



Step 2

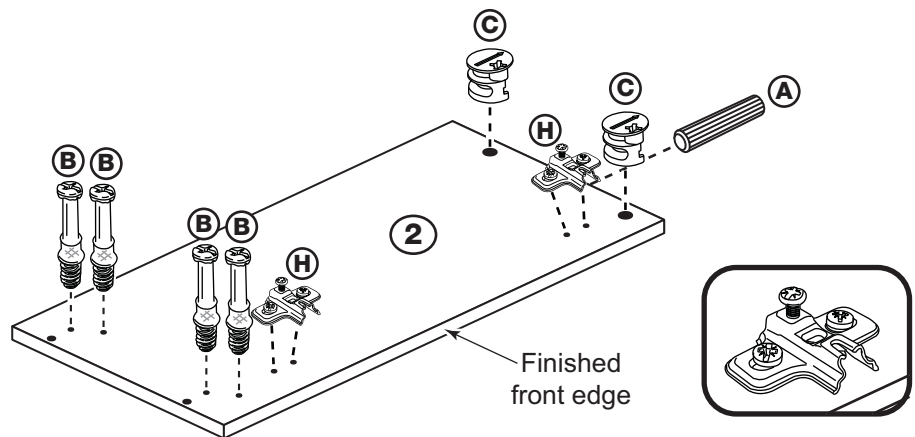
Prepare the Right Side

Tap a Wooden Dowel into the Right Side.

Screw 4 Large Metal Dowels into the Right Side.

Insert 2 Large Locking Nuts into the Right Side.

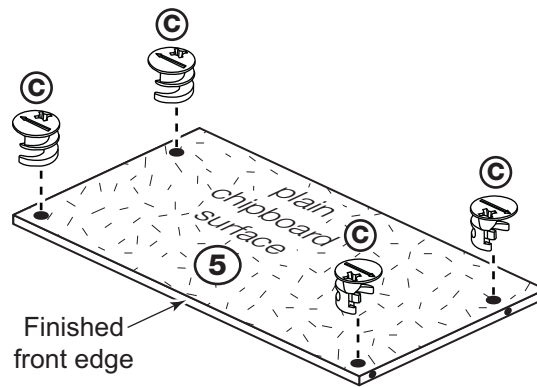
Fit 2 Hinge Plates onto the Right Side, making sure that the slot is facing towards the finished front edge.



Step 3

Prepare the Base

Insert 4 Large Locking Nuts into the Base.



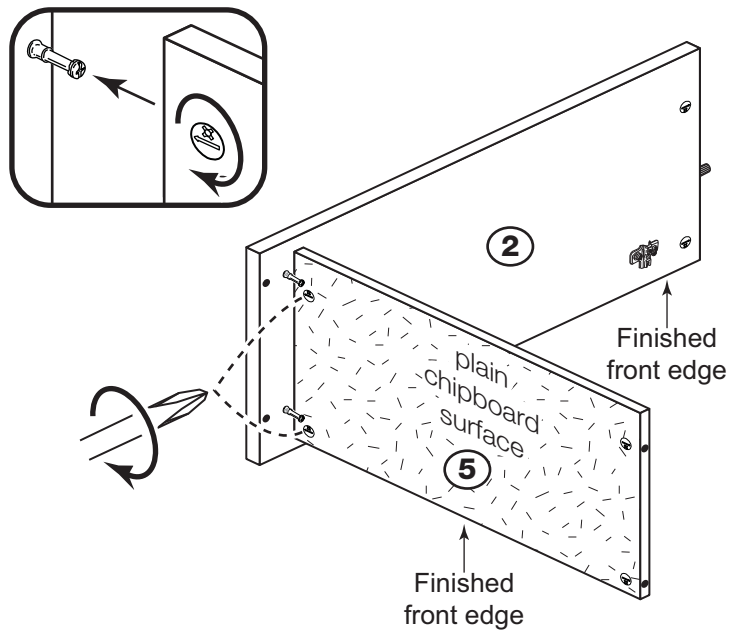
Step 4

Join the Base to the Right Side

Push the Base onto the Right Side.

Use a screwdriver to tighten the 2 Large Locking Nuts fitted to the Base.

Note: Turn the Large Locking Nuts as far as they will go - more than 1/2 a turn.

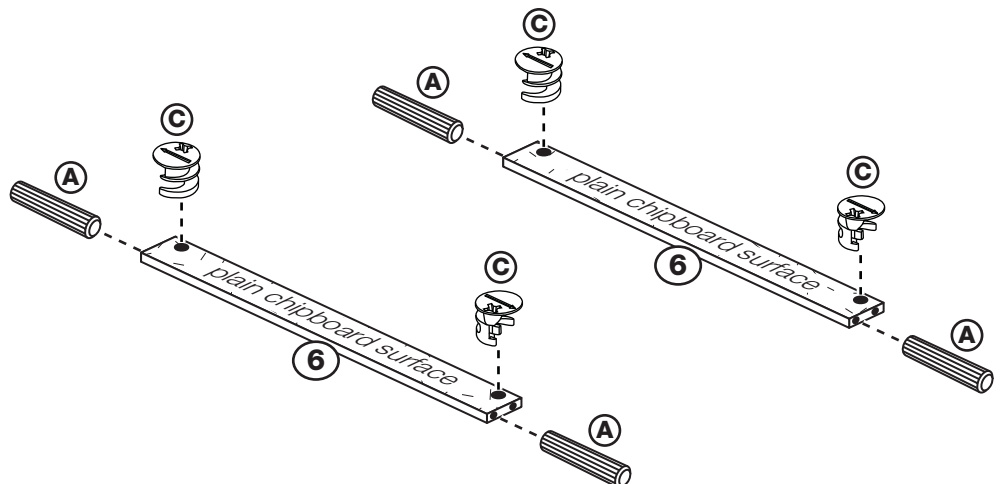


Step 5

Prepare the 2 Plinths

Tap 2 Wooden Dowels into each of the Plinths.

Insert 2 Large Locking Nuts into each of the Plinths.

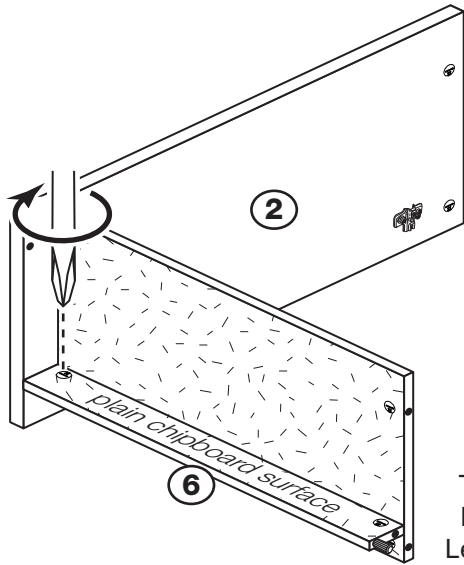


Step 6

Fit the front Plinth

Push one of the Plinths onto the Right Side.

Use a screwdriver to tighten the Large Locking Nut fitted to the Plinth.



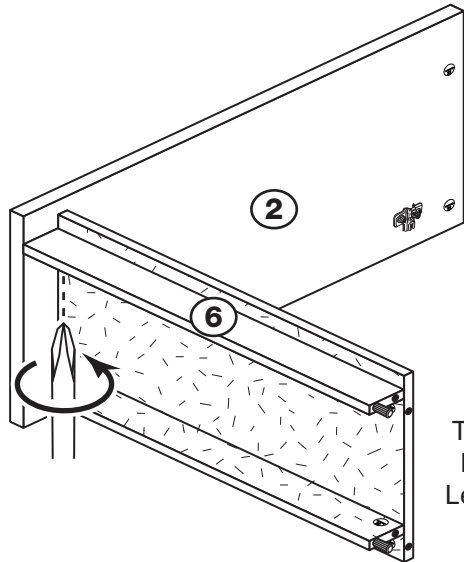
The Plinth will need to be supported until the Left Side has been fitted

Step 7

Fit the back Plinth

Push the other Plinth onto the Right Side.

Use a screwdriver to tighten the Large Locking Nut fitted to the Plinth.



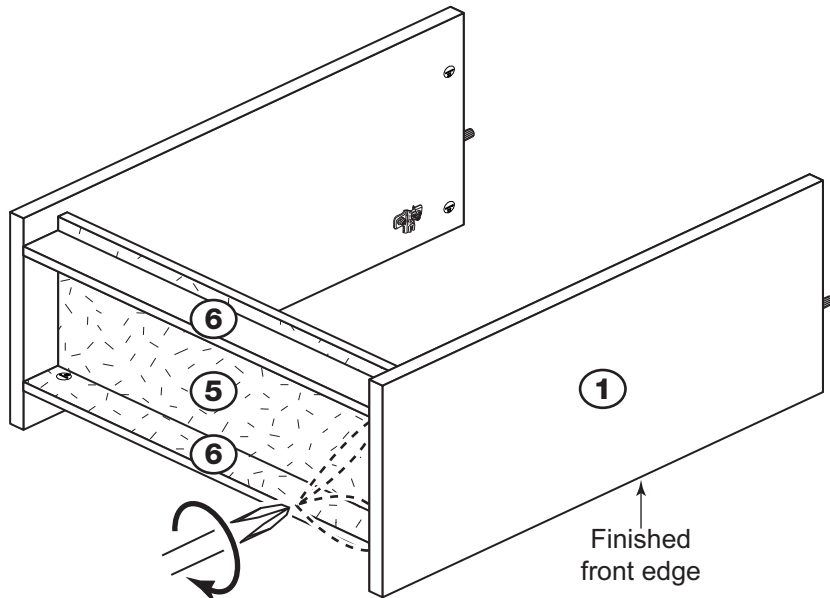
The Plinths will need to be supported until the Left Side has been fitted

Step 8

Fit the Left Side

Push the Left Side onto the assembly.

Use a screwdriver to tighten the 4 Large Locking Nuts fitted to the Base and the Rails.

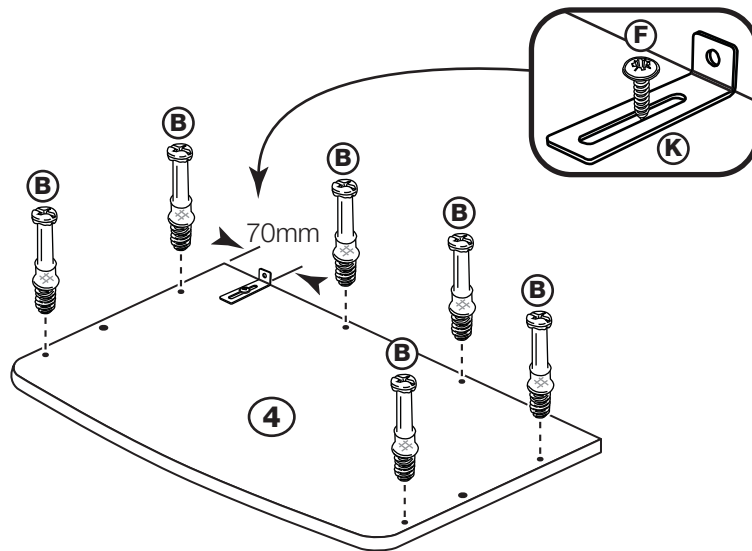


Step 9

Prepare the Top

Screw 6 Large Metal Dowels into the Top.

Fix the Bracket to the Top, 70mm in from the side and flush to the back edge.

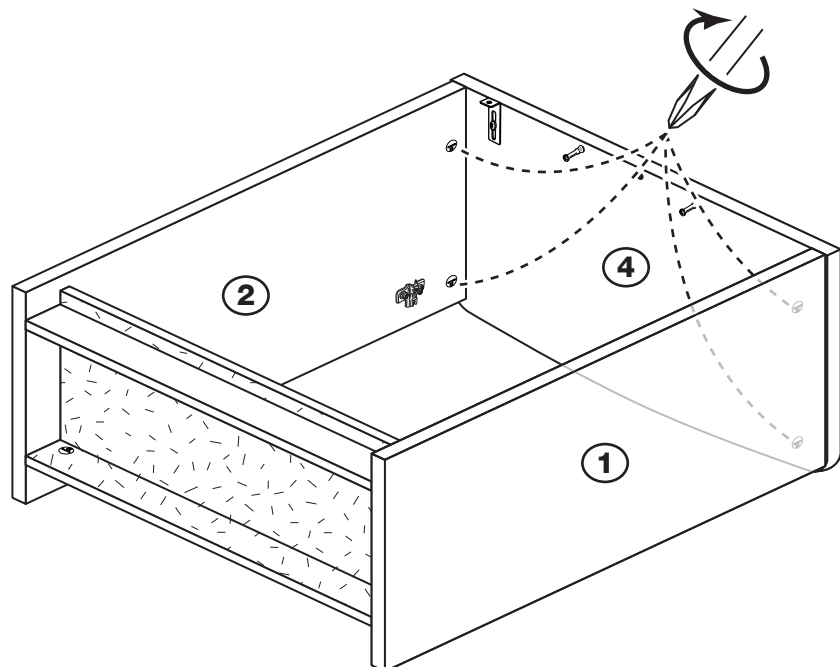


Step 10

Fit the Top

Push the Top onto the assembly.

Use a screwdriver to tighten the 4 Large Locking Nuts fitted to the Left Side and Right Side.

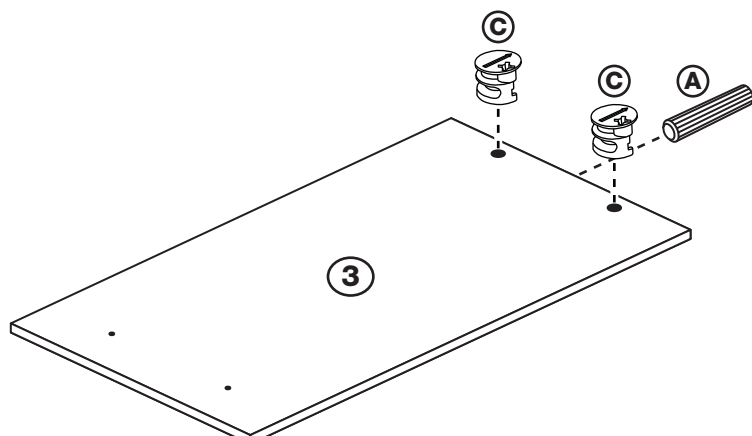


Step 11

Prepare the Back

Tap a Wooden Dowel into the Back.

Insert 2 Large Locking Nuts into the Back.



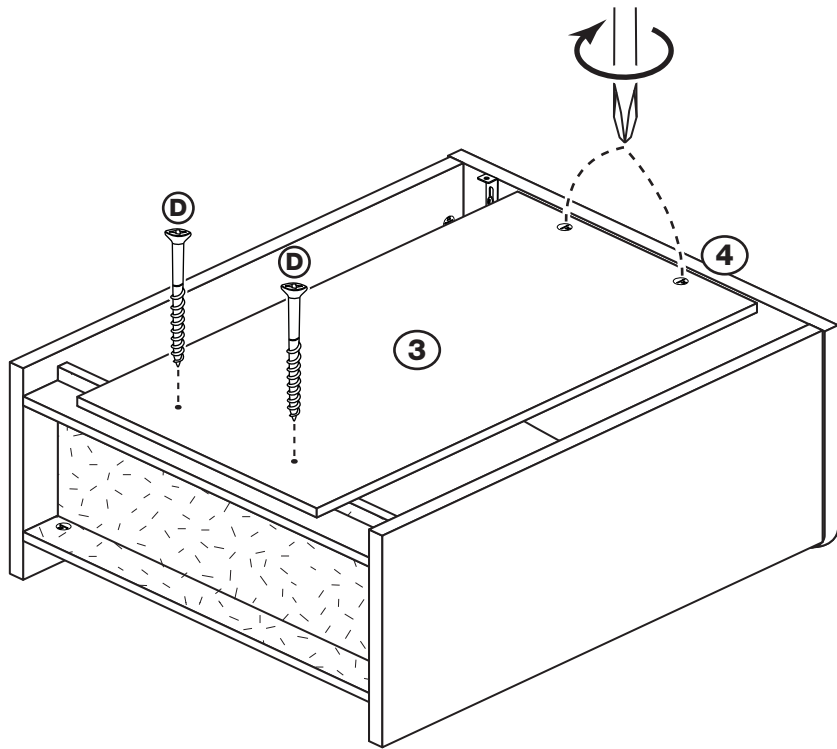
Step 12

Fit the Back

Push the Back onto the Top.

Use a screwdriver to tighten the 2 Large Locking Nuts fitted to the Back.

Secure the Back to the back edge of the Base using the two 45mm Screws.



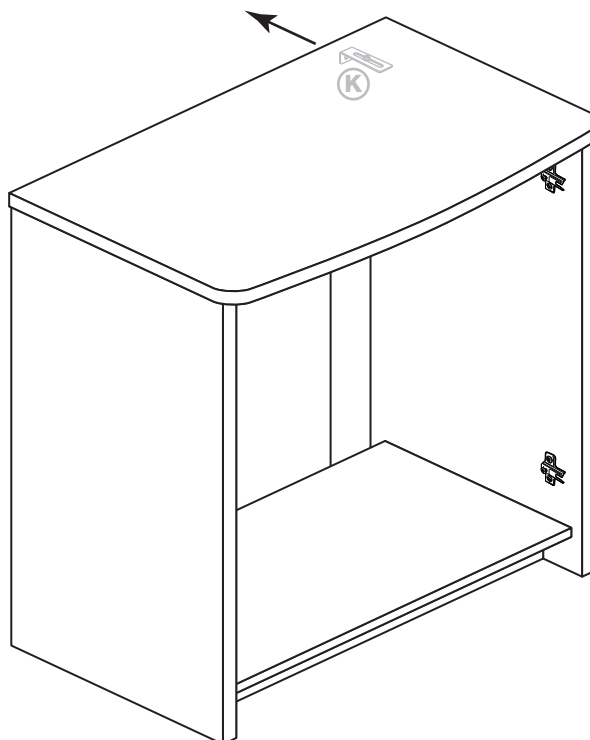
Step 13

Secure the unit to a wall

To prevent possible overbalancing we recommend that this unit is secured to a suitable wall by use of the Bracket that was fitted to the Top.

Fixings are not supplied as they will need to suit the wall type, and the length of screw will depend on the distance of the back of the unit to the wall.

Take care when drilling the wall that you do not drill into any pipes, wires etc. If in doubt, consult an expert.

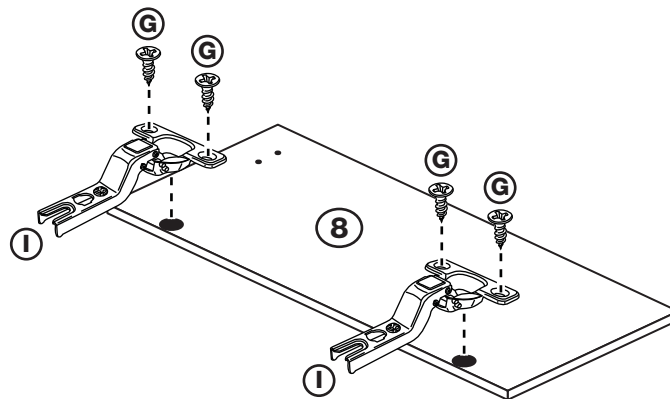
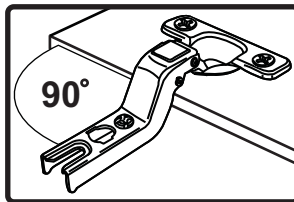
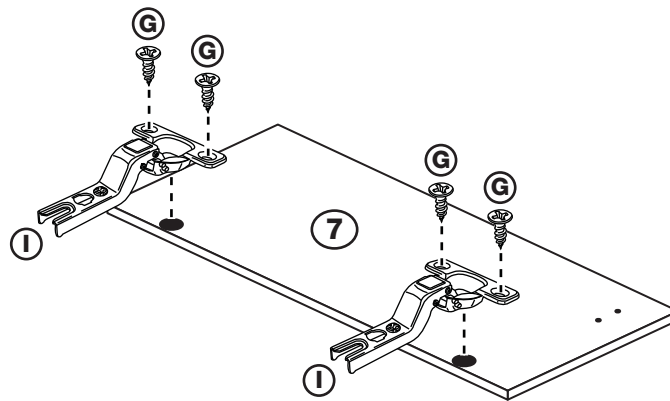


Step 14

Prepare the 2 Doors

Push fit 2 Hinges into each of the Doors.

Secure each Hinge with 2 Screws.



Step 15

Fit the Doors and the Handles

We recommend that you fit the top Hinge first, then align and fit the other Hinge.

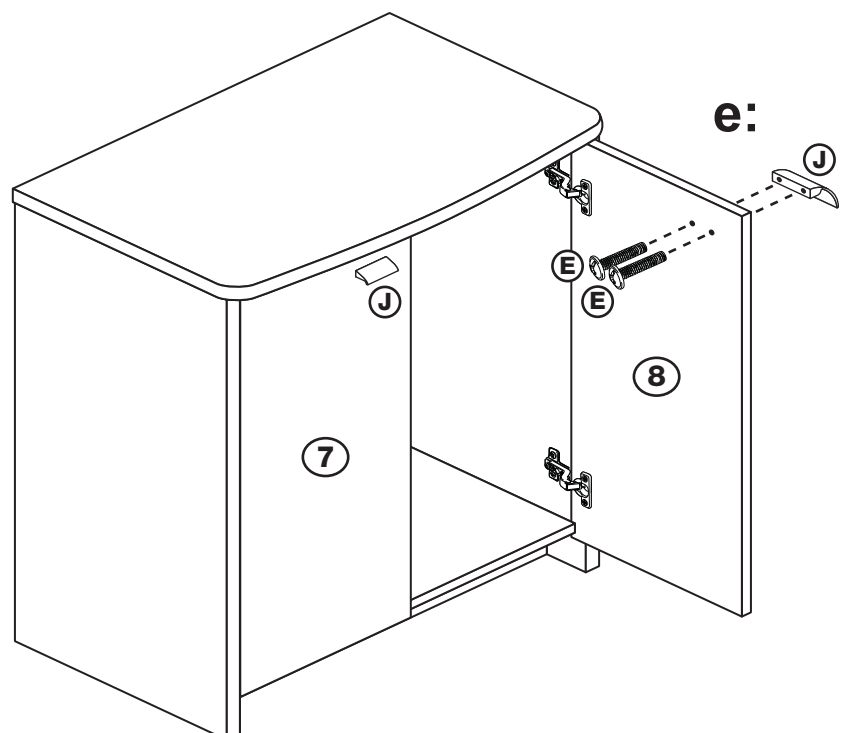
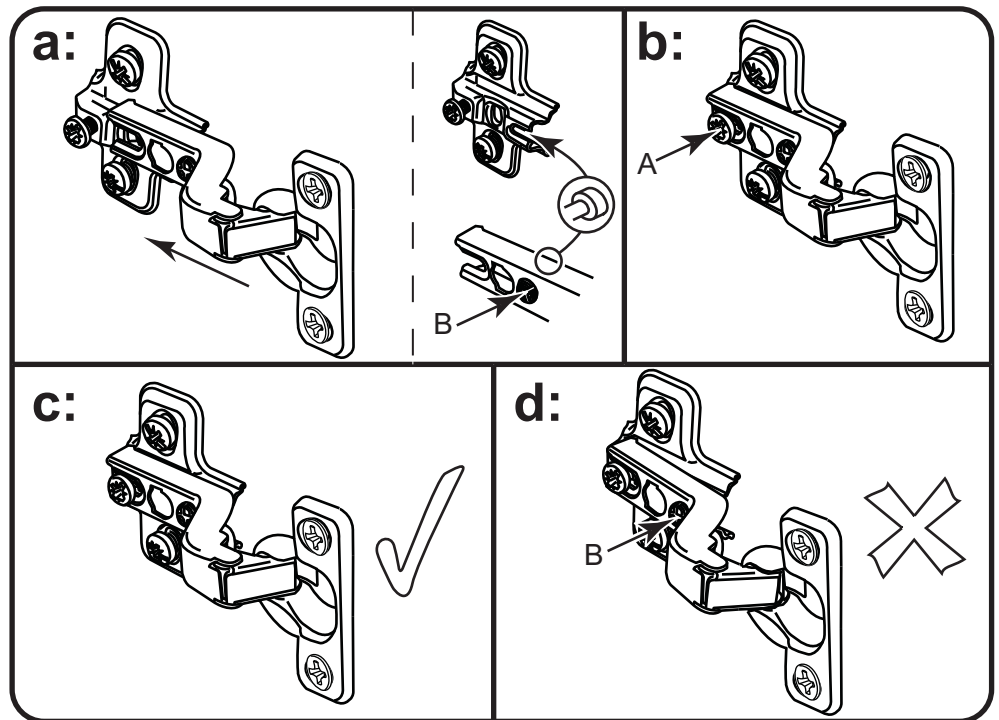
a: Push the Hinge onto the front part of the Hinge Plate. The recess at the bottom of Screw B goes into the slot in the Hinge Plate.

b: Keep the Hinge FLAT against the Hinge Plate as you slide it across as far as it will go. Tighten Screw A.

c: The Hinge must be flat against the Hinge Plate prior to any adjustment.

d: The Hinge must NOT be AT AN ANGLE to the Hinge Plate when assembled. This would indicate that the recess at the bottom of Screw B had not located in the slot in the Hinge Plate and the Hinge would not be secure. Remove the Hinge from the Hinge Plate and then re-assemble being careful to follow instructions a-c.

e: Attach a Handle to each of the Doors using the 19mm Screws.



Step 16

Adjust the Doors if required

a: Before adjusting the Doors, use a spirit level to check the Top (or Base) of the unit is level, front-to-back and side-to-side in the 3 positions shown.

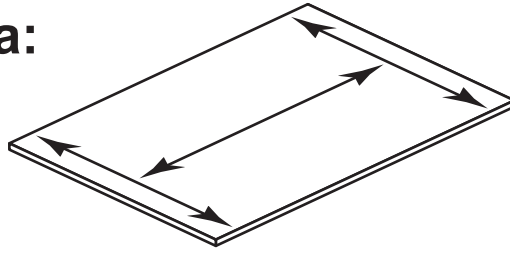
Use suitable packing pieces (not supplied) to make the unit level BEFORE making any adjustment to the Hinges.

b: Height adjustment. Loosen Screws A on the Hinge Plates and move the Door up or down as required. Retighten Screw A.

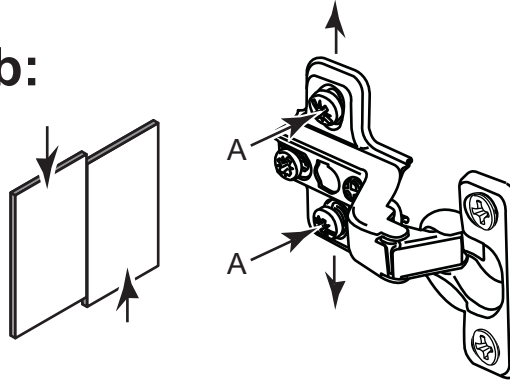
c: Forward and Back adjustment. Loosen Screw B on the Hinge Plate and move the Door in or out as required. Retighten Screw B.

d: Sideways adjustment. To move the Door 'out' loosen Screw C. To move the Door 'in' tighten Screw C.

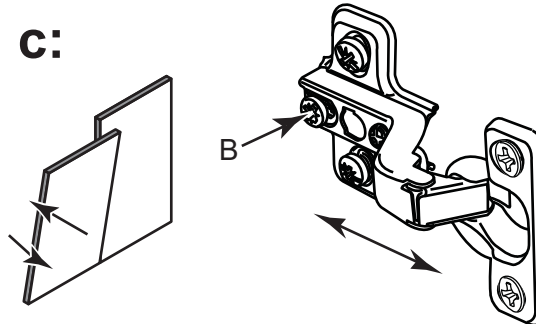
a:



b:



c:



d:

