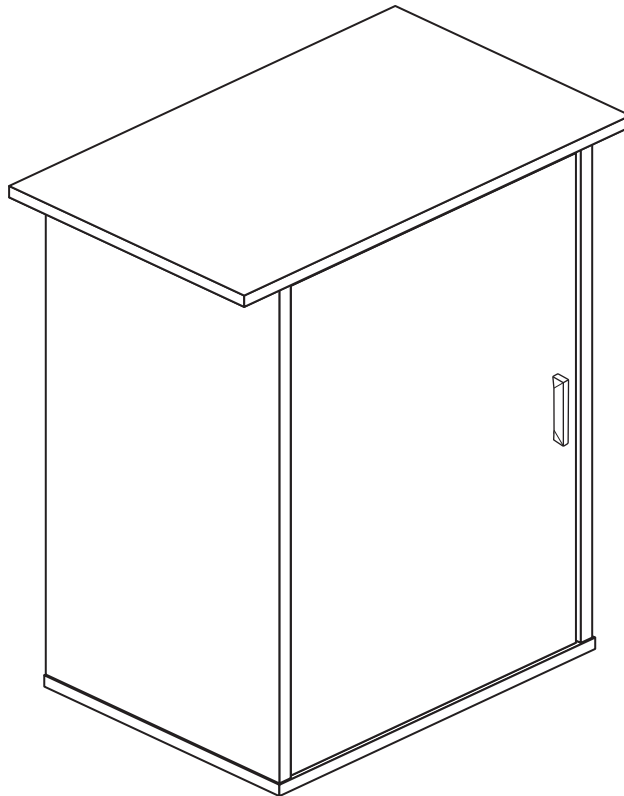


# Assembly Instructions

Please keep for future reference



## Aqua LED 45



Version 1 : 03/12/2014

Important - Please read these instructions fully before starting assembly

ALR3122

# Safety and Care Advice

## Important - Please read these instructions fully before starting assembly

- Warning: This unit weighs approximately 11kgs. Please lift with care.
- Check you have all the components and tools listed.
- Remove all fittings from the plastic bags and separate them into their groups.
- Keep children and animals away from the work area, small parts could choke if swallowed.
- Parts of the assembly will be easier with 2 people.
- Make sure you have enough space to layout the parts before starting.
- Assemble the item as close to its final position (in the same room) as possible.
- Assemble on a soft level surface to avoid damaging the unit or your floor (use opened out unit carton).
- We do not recommend the use of power drill/drivers for inserting screws, as this could damage the unit. Only use hand screwdrivers.
- Safety note: If there is any chance of this unit being pulled over by children etc. it is recommended that the unit is secured to a wall using suitable fixings (not supplied).
- Dispose of all packaging carefully and responsibly.



## Care and maintenance

- Only clean using a damp cloth and mild detergent, do not use bleach or abrasive cleaners.
- From time to time check that there are no loose screws on this unit.
- This product should not be discarded with household waste. Take to your local authority waste disposal centre.

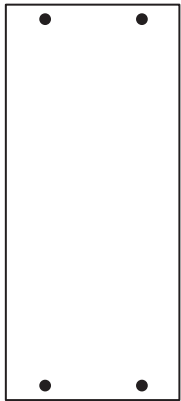
## Contact Us

Aqua Pacific UK Ltd.  
Unit 10, Oriana Way  
Nursling Industrial Estate  
Southampton  
SO16 0YU

Tel +44 (0) 2380 734000  
Fax +44 (0) 2380 740200  
Sales@aquapacific.co.uk

# Panels & Fittings

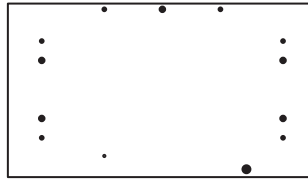
Please check you have all the panels and fittings listed below



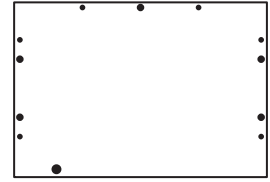
**1** Side (D3034A)  
(654 x 287mm) x 2



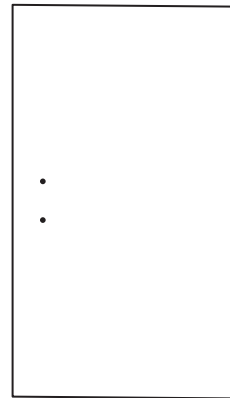
**2** Back (D3036A)  
(654 x 285mm)



**3** Top (D3032A)  
(511 x 289mm)



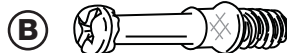
**4** Base (D3033A)  
(418 x 289mm)



**5** Door (D3037A)  
(648 x 378mm)



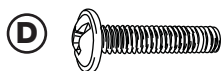
Wooden Dowel (F22) x 10



Large Metal Dowel (F901) x 12



Large Locking Nut (F900) x 12



19mm Screw (F461) x 2



13mm Screw (F109) x 3



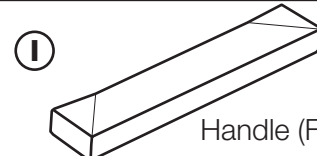
Plastic Nail (F91) x 4



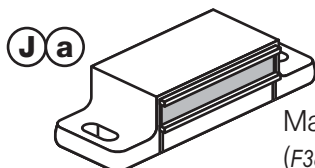
Sprung Pivot (F580) x 2



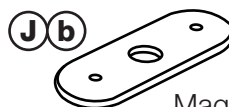
Pivot Washer (F581) x 2



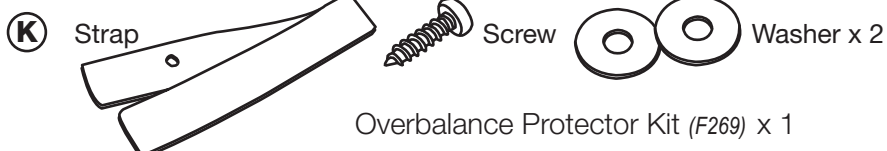
Handle (F955)



Magnetic Catch (F38) x 1



Magnetic Plate (F41) x 1



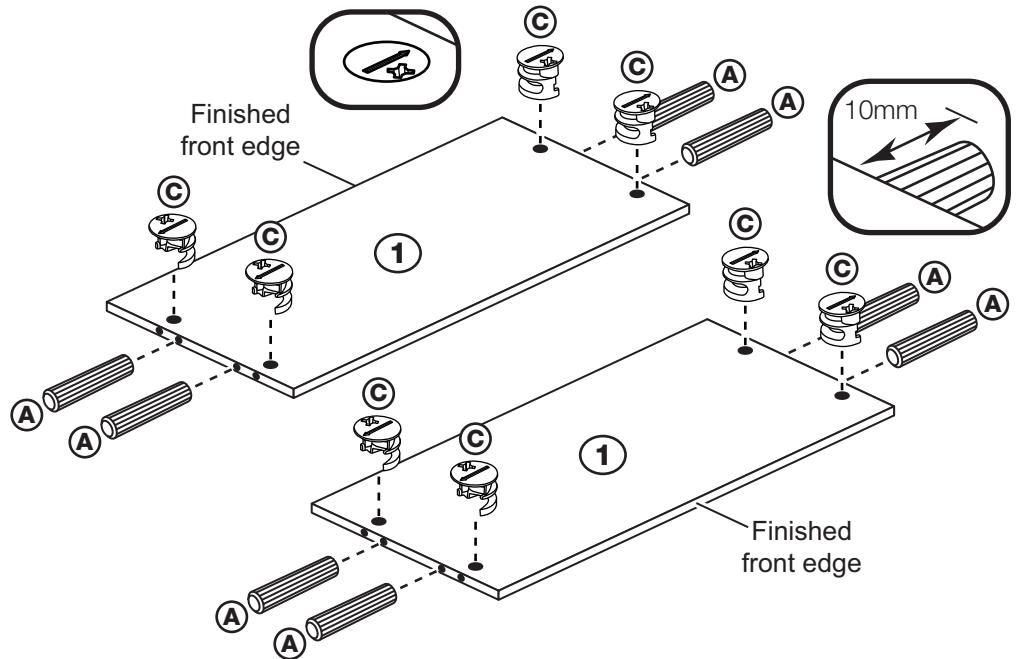
Overbalance Protector Kit (F269) x 1

## Step 1

### Prepare the 2 Sides

Tap 4 Wooden Dowels into each of the Sides.

Insert 4 Large Locking Nuts into each of the Sides.



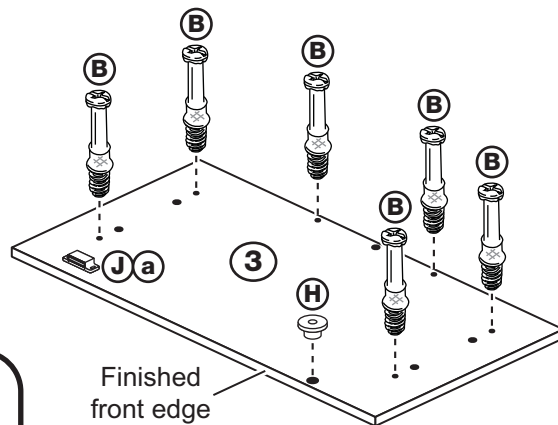
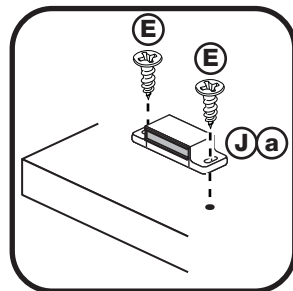
## Step 2

### Prepare the Top

Screw 6 Metal Dowels into the Top.

Push a Pivot Washer into the Top.

Fit a Magnetic Catch to the Top using the 13mm Screws. Ensure you use the pre marked hole in the Top to fit the catch as shown.



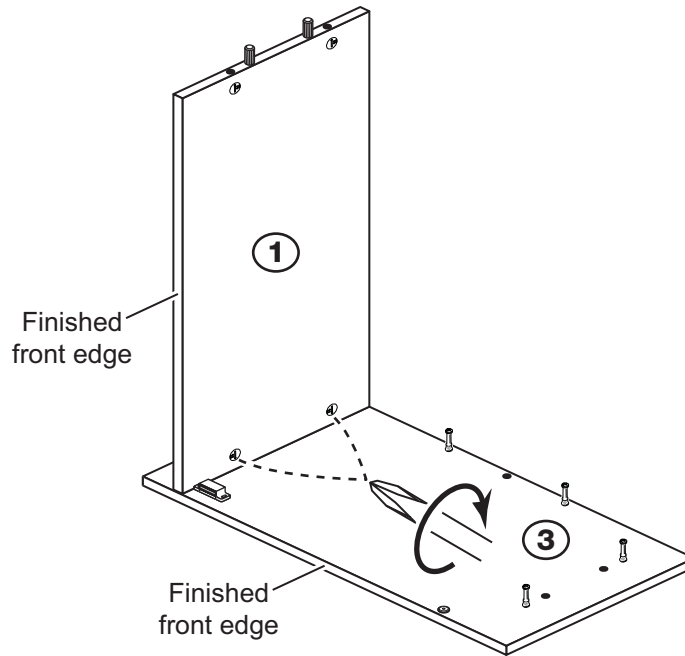
### Step 3

#### Fit a Side to the Top

Push a Side down onto the Top.

Use a screwdriver to tighten the 2 Large Locking Nuts fitted to the Side.

Note: Turn the large locking nuts as far as they will go - more than 1/2 a turn.

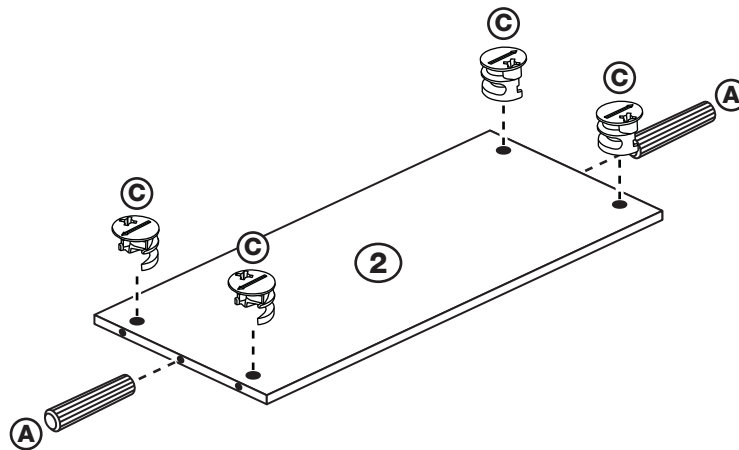


### Step 4

#### Prepare the Back

Tap 2 Wooden Dowels into the Back.

Insert 4 Large Locking Nuts into the Back.

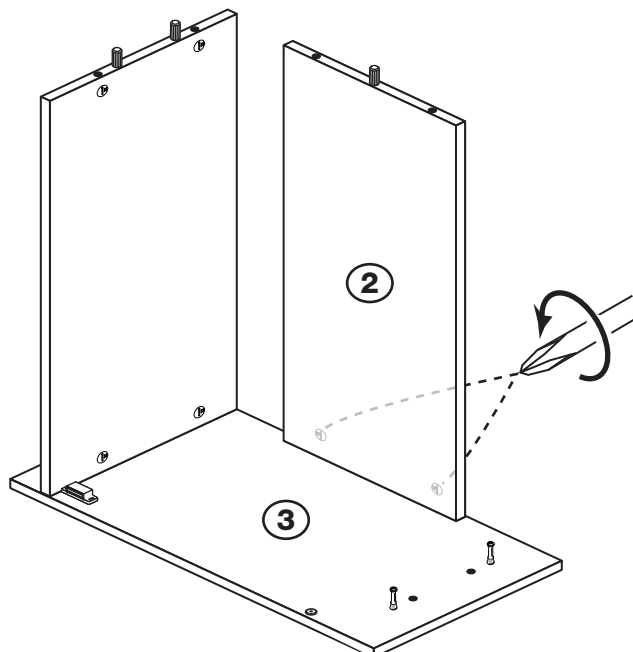


### Step 5

#### Fit the Back

Push the Back down onto the Top.

Use a screwdriver to tighten the 2 Large Locking Nuts fitted to the Back.

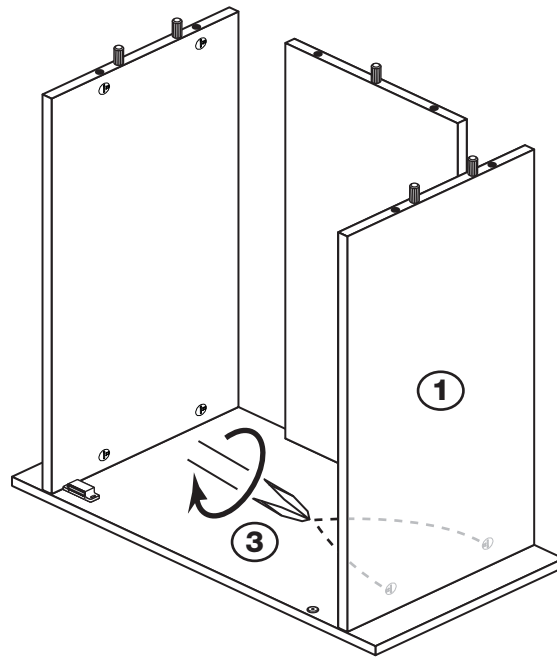


## Step 6

### Fit the other Side

Push the Side down onto the Top.

Use a screwdriver to tighten the 2 Large Locking Nuts fitted to the Side.

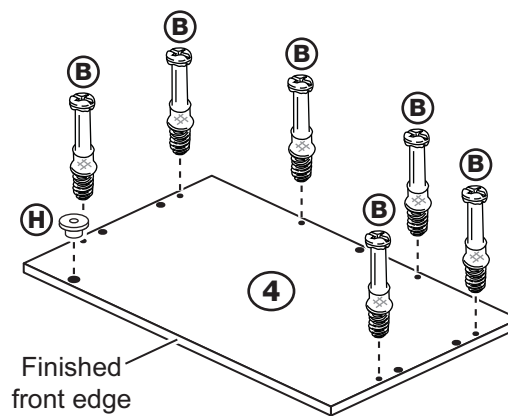


## Step 7

### Prepare the Base

Screw 6 Metal Dowels into the Base

Push a Pivot Washer into the Base.

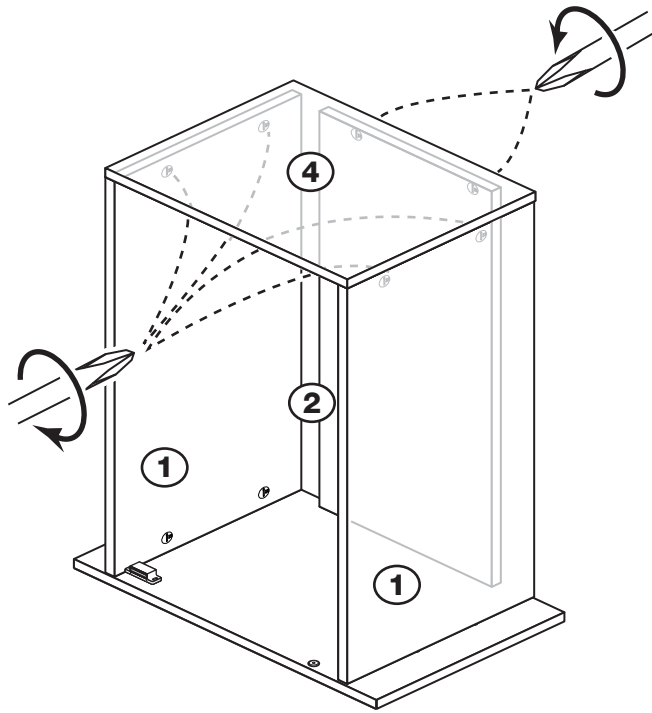


## Step 8

### Fit the Base

Push the Base down onto the Sides and Back.

Use a screwdriver to tighten the 6 Large Locking Nuts fitted to the Sides and Back.

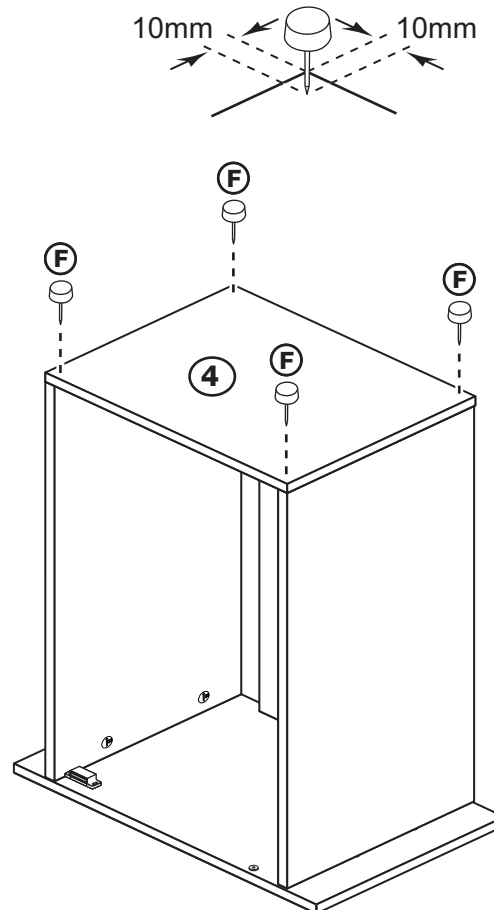


## Step 9

### Fit the 4 Plastic Nails

Tap 4 plastic nails into each corner of the Base about 10mm from the edges.

### Stand the unit up



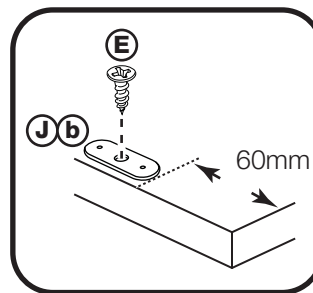
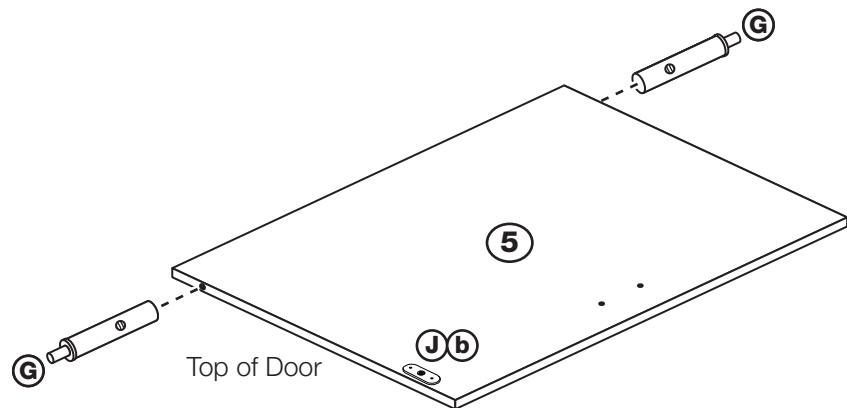
## Step 10

### Prepare the door

Push the 2 Sprung Pivots into the Door.

Screw the Magnetic Plate onto the Door using a 13mm Screw.

Fit the Magnetic Plate using the dimension shown and close to the top edge.

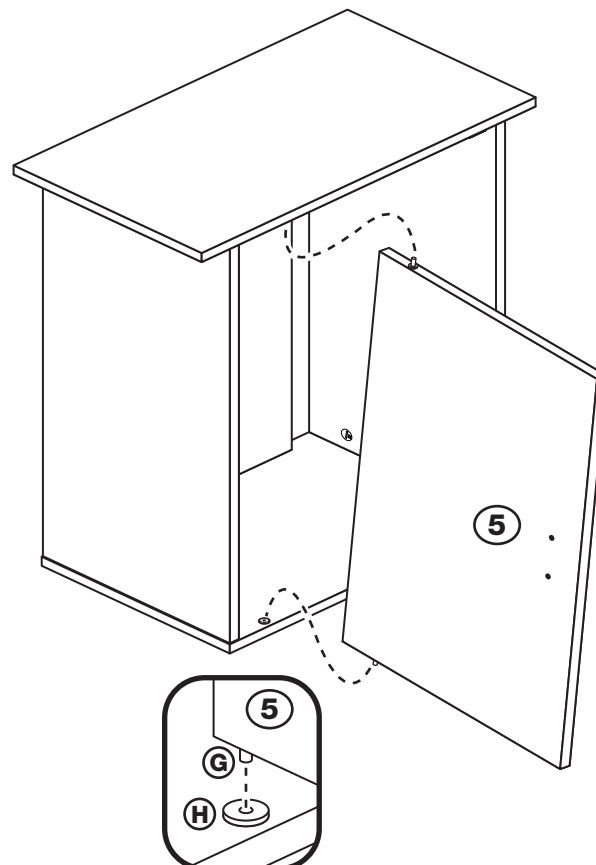


## Step 11

### Fit the Door

Locate the Sprung Pivot at the bottom of the Door into the Pivot Washer on the Base.

Press down the metal lug in the Sprung Pivot at the top of the Door and locate it into the Pivot Washer in the Top.

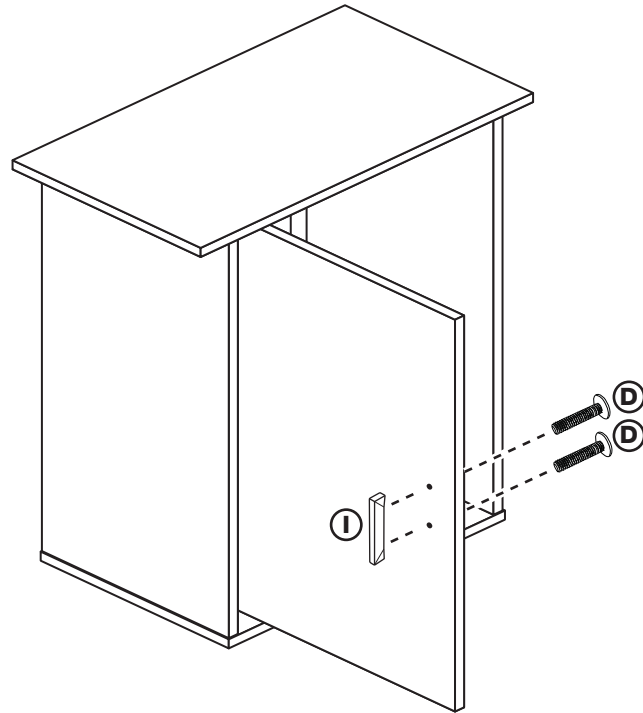




## Step 12

### Fit the handle

Attach the Handle to the Door using 2 19mm Screws.



## Step 13

### Fit the overbalance protector

To prevent possible overbalancing we recommend that this unit is secured to a suitable wall by fitting of the overbalance protector kit to the unit, or an alternative fixing method of your choice.

Wall fixings are not supplied as they will need to suit the wall type.

**Note:** Take care when drilling the wall that you do not drill into any pipes, wires etc. If in doubt, consult an expert.

### Example

