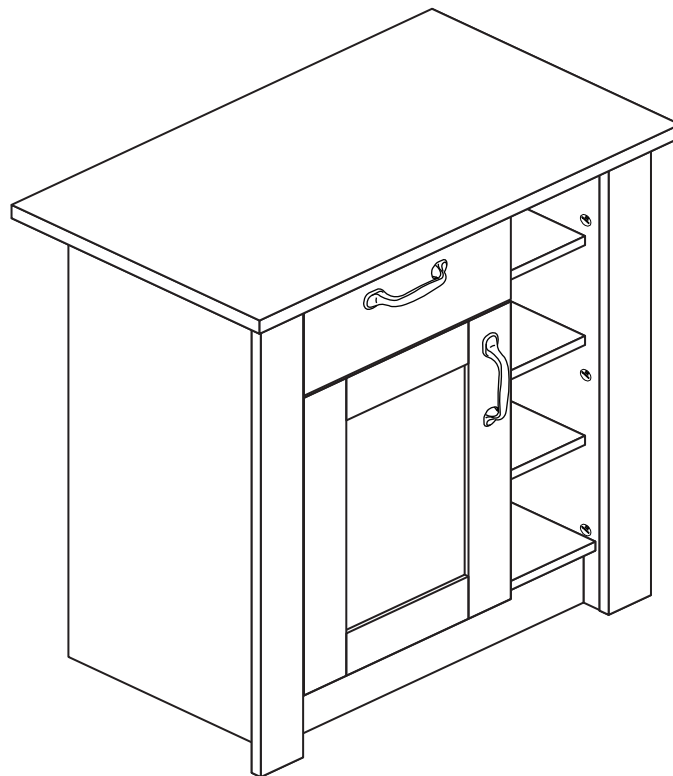


Assembly Instructions

Please keep for future reference



Oakstyle 110



Version 1 : 25/07/2017

Important - Please read these instructions fully before starting assembly

ALR3413

Safety and Care Advice

Important - Please read these instructions fully before starting assembly

- Warning: This unit is heavy. Please lift with care.

- Check you have all the components and tools listed.

- Remove all fittings from the plastic bags and separate them into their groups.

- Keep children and animals away from the work area, small parts could choke if swallowed.

- Parts of the assembly will be easier with 2 people.

- Make sure you have enough space to layout the parts before starting.

- Assemble the item as close to its final position (in the same room) as possible.

- Assemble on a soft level surface to avoid damaging the unit or your floor (use opened out unit carton).



as this could damage the unit. Only use hand screwdrivers.

- **Safety note: This unit must be secured to a wall using the overbalance protector kit supplied.**

- Dispose of all packaging carefully and responsibly.

Care and maintenance

- Only clean using a damp cloth and mild detergent, do not use bleach or abrasive cleaners.

- From time to time check that there are no loose screws on this unit.

- This product should not be discarded with household waste. Take to your local authority waste disposal centre.

Contact Us

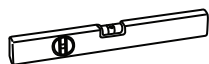
Aqua Pacific UK Ltd.
Unit 10, Oriana Way
Nursling Industrial Estate
Southampton
SO16 0YU

Tel +44 (0) 2380 734000
Fax +44 (0) 2380 740200
Sales@aquapacific.co.uk

Tools



Rule



Spirit level



Cross-head screwdriver



Scissors



Hammer



Eye protection (when using a hammer or drill)



Electric drill (do not use for fitting screws)

Panels

Please check you have all the panels listed below



1 Drawer Front
(DF-00011548)
(34.2 x 16.2cm)



2 Left Drawer Side (W330-124LH)
(33 x 12.4cm)



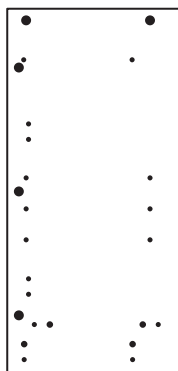
3 Right Drawer Side (W330-124RH)
(33 x 12.4cm)



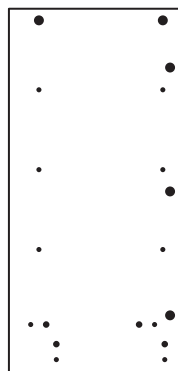
4 Drawer Back
(W303-124)
(30.3 x 12.4cm)



5 Drawer Base
(T314-327)
(31.4 x 32.7cm)



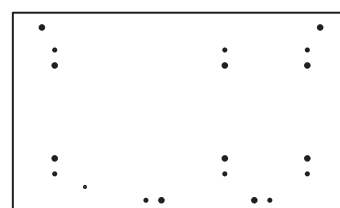
6 Left Side
(DF-00011541)
(75.5 x 35.7cm)



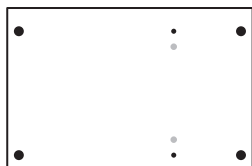
7 Right Side
(DF-00011566)
(75.5 x 35.7cm)



8 Divider
(DF-00011563)
(64.5 x 33.3cm)



9 Top (DF-00011560)
(69.5 x 41cm)



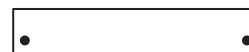
10 Base (DF-00011561)
(50.7 x 33.4cm)



11 Wide Shelf (DF-00011554)
(33.55 x 33.2cm)



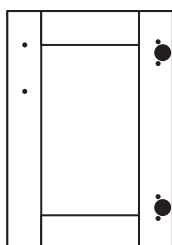
12 Narrow Shelf (DF-00011564)
(15.45 x 33.2cm) x 3



13 Plinth (DF-00011562)
(50.7 x 9.5cm) x 2



14 Fascia (F755-70)
(755 x 70mm) x 2



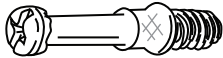





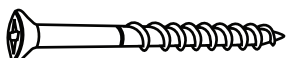





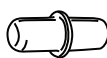


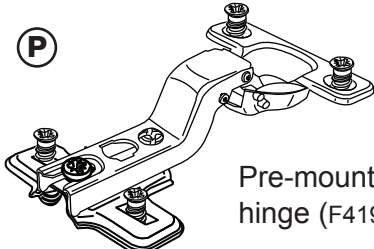
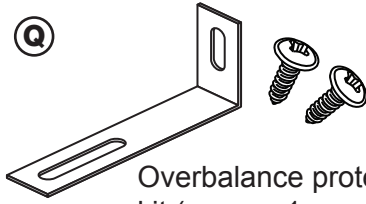
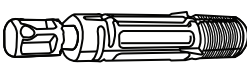

15 Door (F492-342LH)
(492 x 342mm)



16 Back (DF-00011568)
(75.5 x 39.6mm)

Fittings

Please check you have all the fittings listed below

<p>A </p> <p>Large Metal Dowel (F901) x 18</p>	<p>B </p> <p>Small Locking Cam Nut (F900) x 2</p>	<p>C </p> <p>Knock-in Peg (F171GY) x 4</p>
<p>D </p> <p>Wedgex (F639) x 2</p>	<p>E </p> <p>Large Locking Cam Nut (F900) x 22</p>	<p>F </p> <p>Wooden Dowel (F22) x 20</p>
<p>G </p> <p>45mm Screw (F65) x 2</p>	<p>H </p> <p>40mm Screw (F910) x 2</p>	<p>I </p> <p>19mm Screw (F461) x 4</p>
<p>J </p> <p>9mm Screw (F74) x 2</p>	<p>K </p> <p>9mm Screw (F73) x 4</p>	<p>L </p> <p>Plastic Nail (F91) x 7</p>
<p>M </p> <p>Shelf stud (F110) x 22</p> <p>* 6 of these are required for Hood fixing. See separate instructions for fitting details.</p>	<p>N </p> <p>Door Buffer (F137) x 4</p>	<p>O </p> <p>Handle (F287) x 2</p>
<p>P </p> <p>Pre-mounted hinge (F419) x 2</p>	<p>Q </p> <p>Overbalance protector kit (F474) x 1</p>	<p>R </p> <p>Quickfit dowel (F545) x 6</p>
<p>S </p> <p>Drawer runner (F1004) x 2</p>		

*

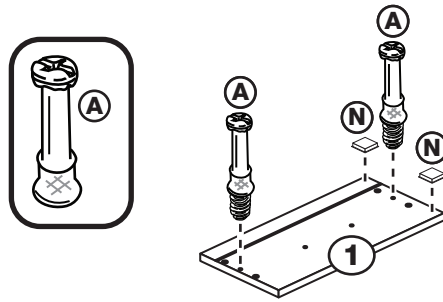
Step 1

Prepare the Drawer Front

Screw 2 Metal Dowels into the Drawer Front.

Note: Tighten the Metal Dowels up fully against the panels.

Stick a Door Buffer into the top right hand corner and bottom right hand corner of the Drawer Front.

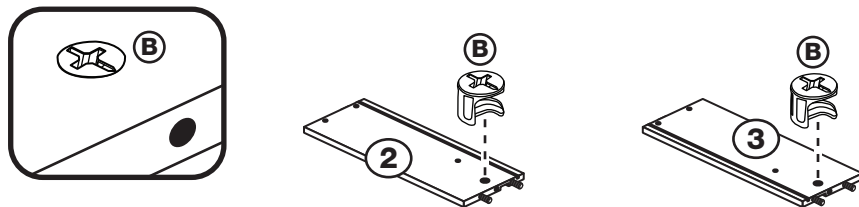


Step 2

Prepare the Drawer Sides

Insert a Small Locking Cam Nut into the Left Drawer Side and the Right Drawer Side.

Note: The arrow on the Small Locking Cam Nut must point towards the hole in the edge of the panel.



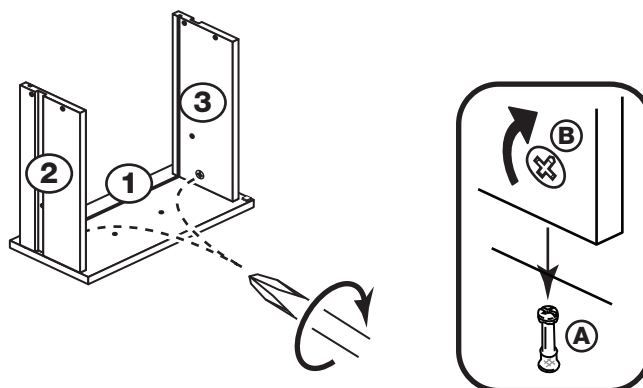
Step 3

Attach the Drawer Sides to the Drawer Front

Push the Left Drawer Side and Right Drawer Side onto the back of the Drawer Front.

Turn the Small Locking Cam nuts on the Left Drawer Side and right Drawer Side.

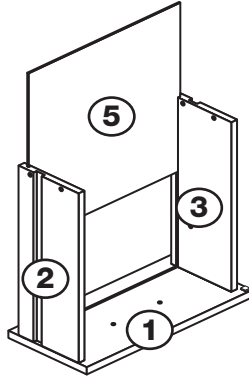
Note: Turn the Small Locking Cam nuts clockwise to secure the panels - more than 1/2 a turn.



Step 4

Fit the Drawer Base

Slide the Drawer Base down the grooves in the Drawer Sides and down into the groove in the Drawer Front.



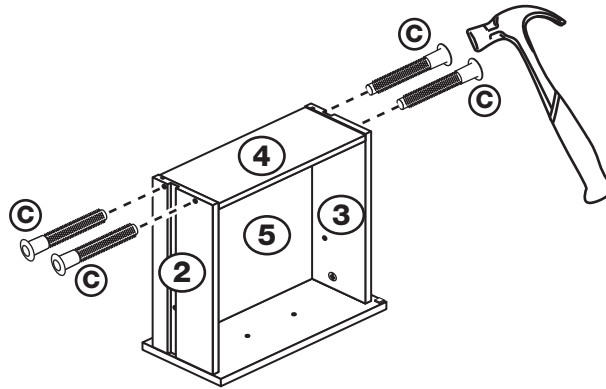
Step 5

Fit the Drawer Back

Fit the Drawer Back between the Drawer Sides.

Make sure that the Drawer Base fits into the groove in the Drawer Back.

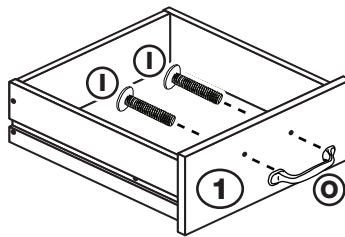
Hold the Drawer Back in position and tap the Knock-in Pegs through the holes in the Drawer Sides.



Step 6

Attach the Handle

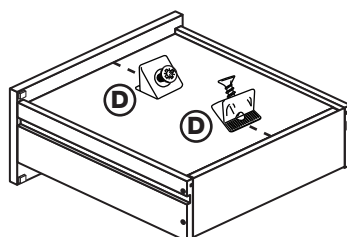
Attach a Handle to the Drawer Front using two 19mm Screws.



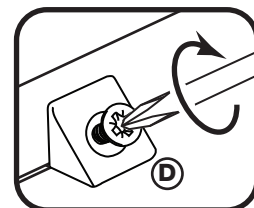
Step 7

Fit the Wedgefixes

Turn the drawer assembly over and slide 2 Wedgefixes into the front and back grooves, as shown, and tighten up the screws.



The Drawer assembly must be square before fitting the wedgefixes.



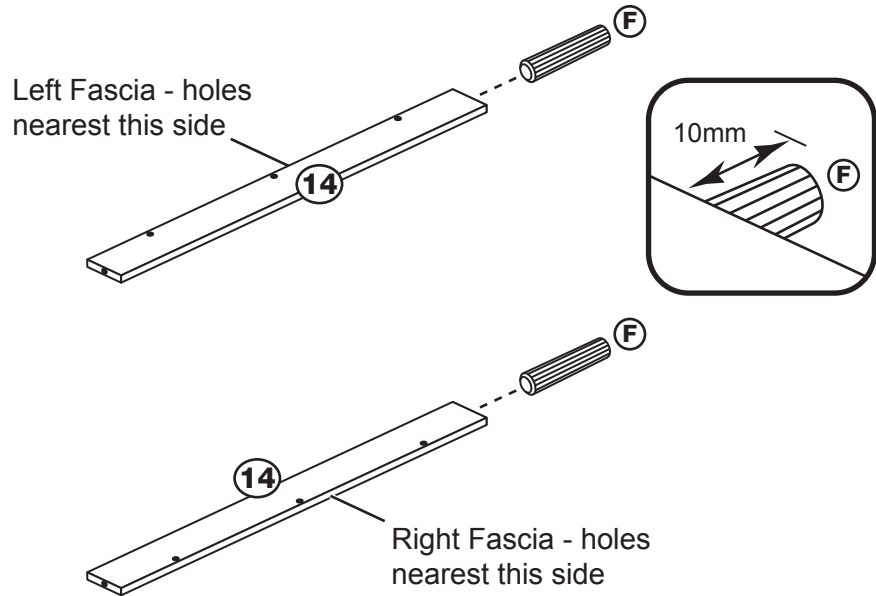
Step 8

Prepare the 2 Fascias

Check that the holes are in the same place as the diagrams, as one will be the Left Fascia and one will be the Right Fascia.

Tap a Wooden Dowel into each of the 2 Fascias.

Note: Wooden Dowels must not stick out from the edge by more than 10mm or they may damage other panels.



Step 9

Prepare the Left Side

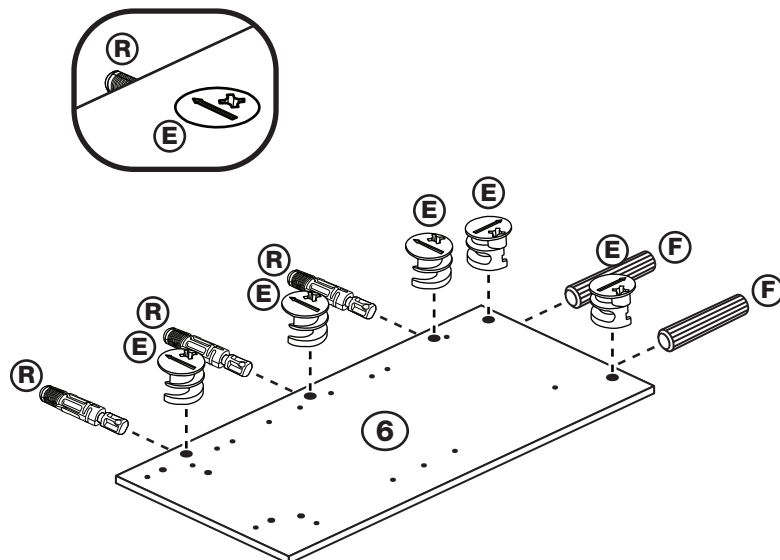
Tap 2 Wooden Dowels into the Left Side.

Insert 5 Large Locking Cam Nuts into the Left Side.

Note: The arrow on the Large Locking Cam Nuts must point towards the hole in the edge of the panel.

Push 3 of the Quickfit Dowels as far as they will go into the Left Side.

Note: Only the plastic thread of the Quickfit Dowel sticks out from the panel.



Step 10

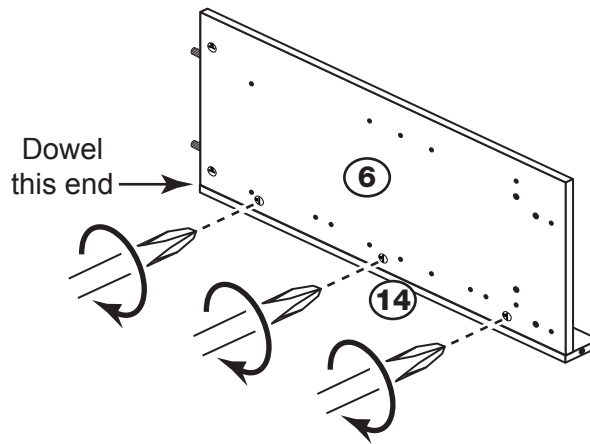
Fit the Left Fascia to the Left Side

Push the Left Side down onto the Left Fascia.

Use a screwdriver to tighten the 3 Large Locking Cam Nuts fitted to the Left Side.

Note: Turn the Large Locking Cam Nuts as far as they will go - more than 1/2 a turn.

Important: Make sure there is no gap between the fitted panels.



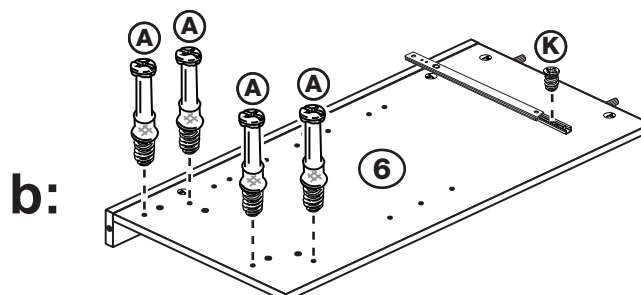
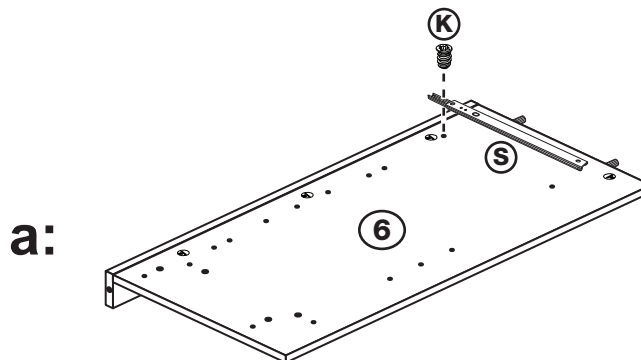
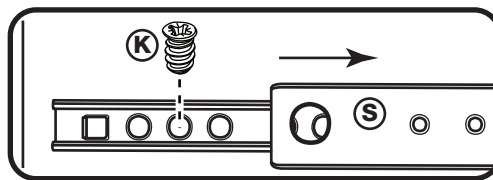
Step 11

Finish preparing the Left Side

a: Place a runner on the Left Side as shown. Slide back the top of Runner and use the 2nd hole from the front to fit the first 9mm Screw.

b: Slide the Runner back the other way and fit the second 9mm Screw into the corresponding hole in the Left Side.

Screw 4 metal dowels into the Left Side.



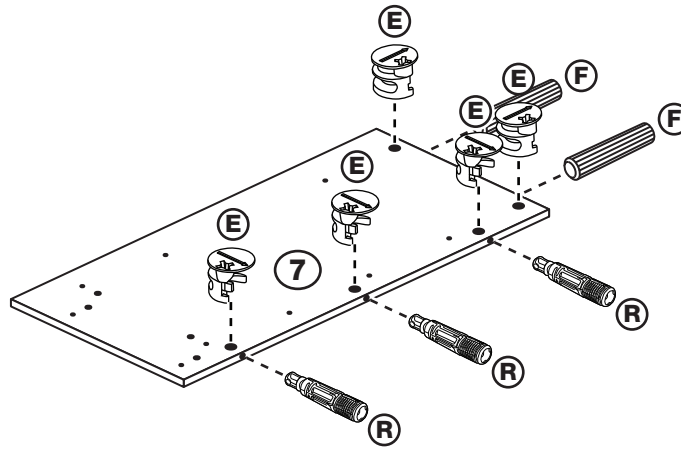
Step 12

Prepare the Right Side

Tap 2 Wooden Dowels into the Right Side.

Insert 5 Large Locking Cam Nuts into the Right Side.

Push 3 of the Quickfit Dowels as far as they will go into the Right Side.



Step 13

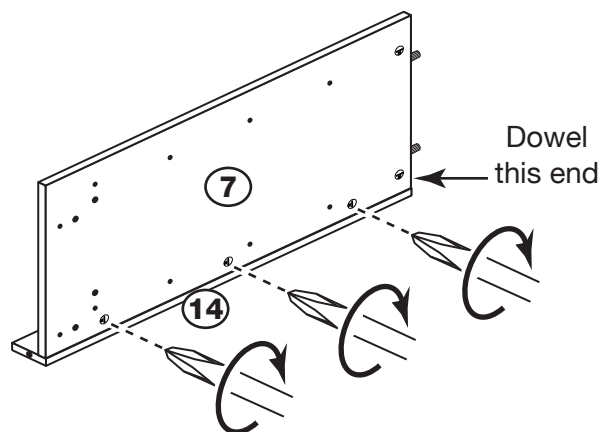
Fit the Right Fascia to the Right Side

Push the Right Side down onto Right Fascia.

Use a screwdriver to tighten the 3 Large Locking Cam Nuts fitted to the Right Side.

Note: Turn the Large Locking Cam Nuts as far as they will go - more than 1/2 a turn.

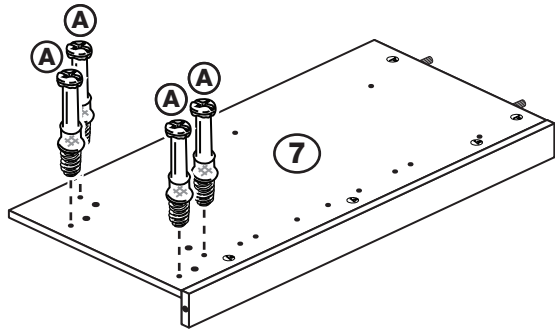
Important: Make sure there is no gap between the fitted panels.



Step 14

Finish preparing the Right Side

Screw 4 metal dowels into the Right Side.

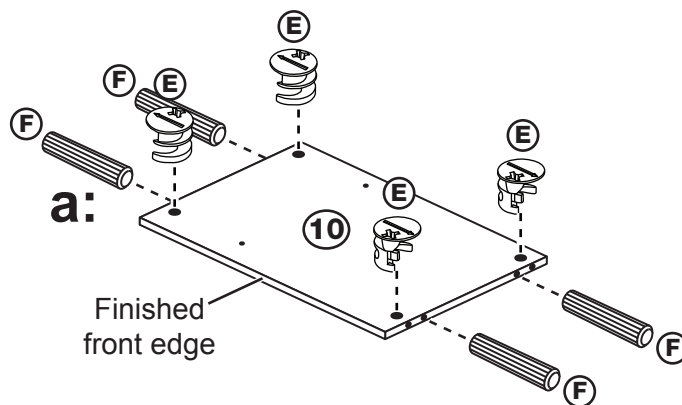


Step 15

Prepare the Base

Tap 4 Wooden Dowels into the Base.

Insert 4 Large Locking Cam Nuts into the Base.

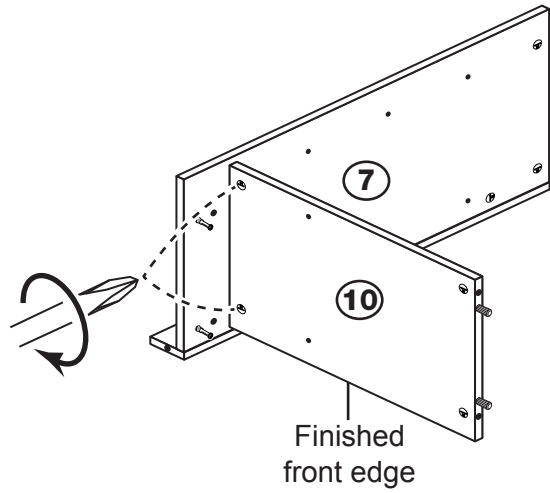


Step 16

Fit the Base

Push the Base onto the Right Side.

Use a screwdriver to tighten the 2 Large Locking Cam Nuts fitted to the Base.



Step 17

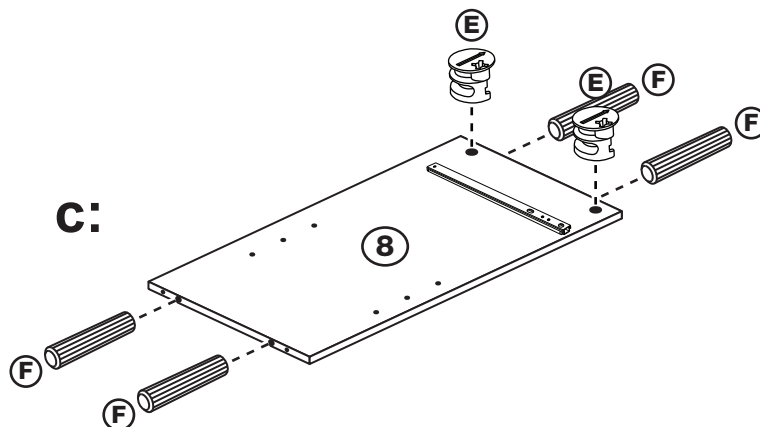
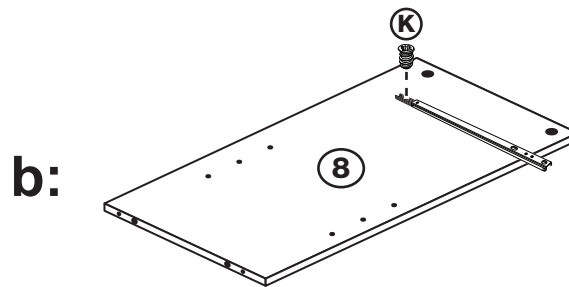
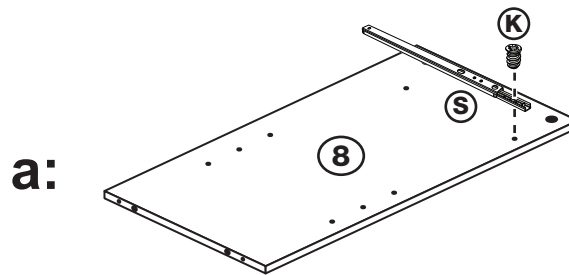
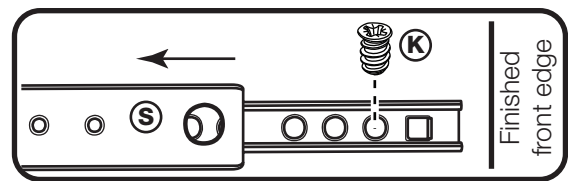
Prepare the Divider

a: Place a Runner on the Divider as shown. Slide back the top of Runner and use the 1st hole from the front to fit the first 9mm Screw.

b: Slide the Runner back the other way and fit the second 9mm Screw into the corresponding hole in the Divider.

c: Tap 4 Wooden Dowels into the Divider.

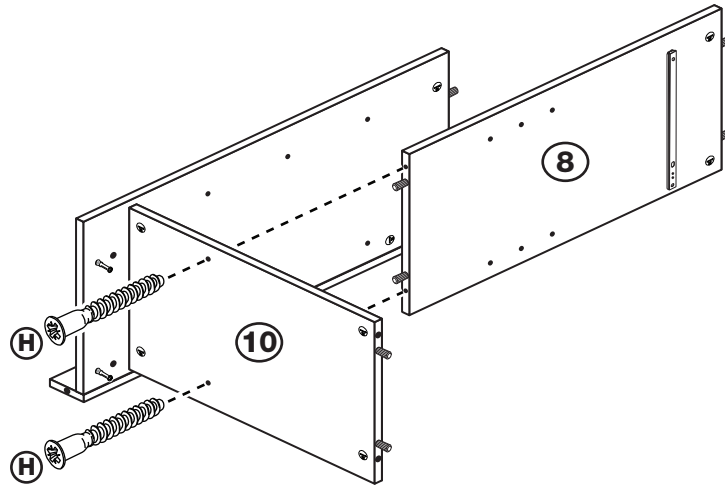
Insert 2 Large Locking Cam Nuts into the Divider.



Step 18

Fit the Divider

Push the Divider onto the Base and fix it using two 40mm screws.

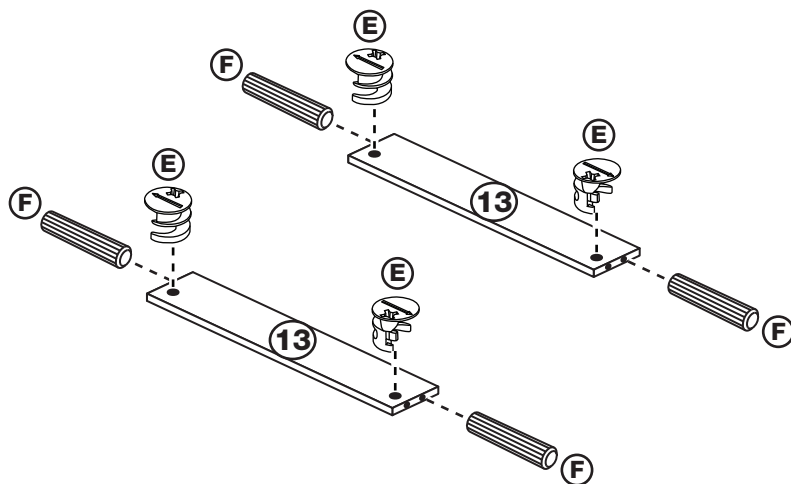


Step 19

Prepare the 2 Plinths

Tap 2 Wooden Dowels into each of the Plinths.

Insert 2 Large Locking Cam Nuts into each of the Plinths.

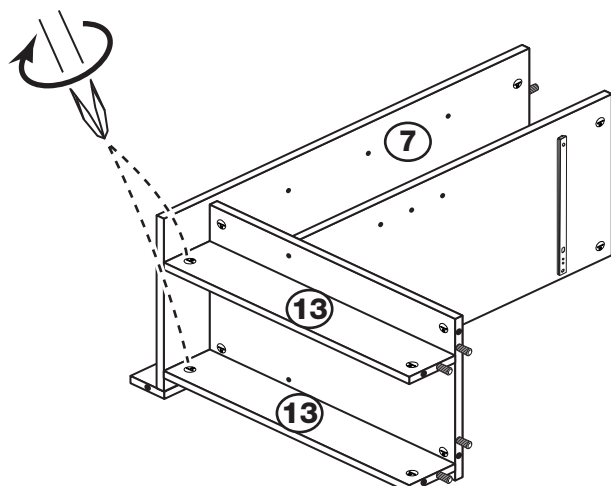


Step 20

Fit the Plinths

Push the 2 Plinths onto the Right Side.

Use a screwdriver to tighten the Large Locking Cam Nut fitted to each Plinth.

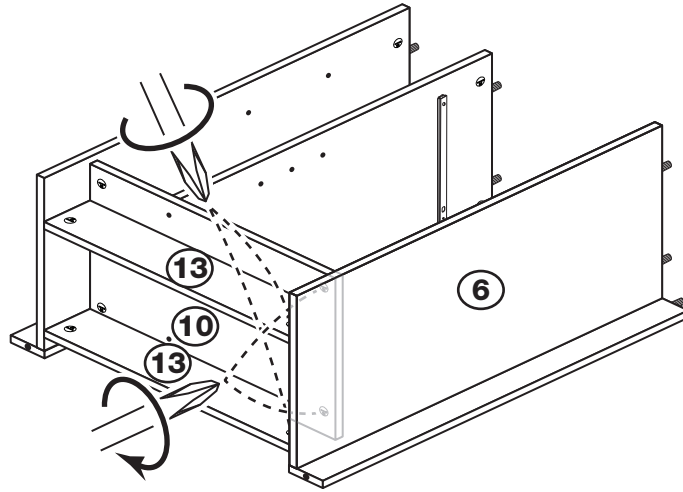


Step 21

Fit the Left Side

Push the Left Side onto the Base and the Plinths.

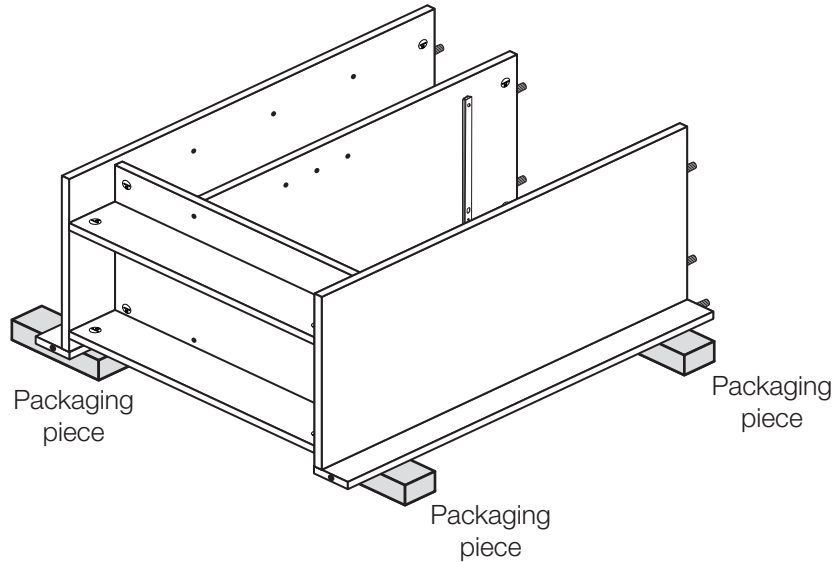
Use a screwdriver to tighten the 4 Large Locking Cam Nuts fitted to the Base and Plinths.



Step 22

Raise the assembly

To make it easier to fit the Top Panel, place packaging pieces underneath the Side Panels to raise the assembly.



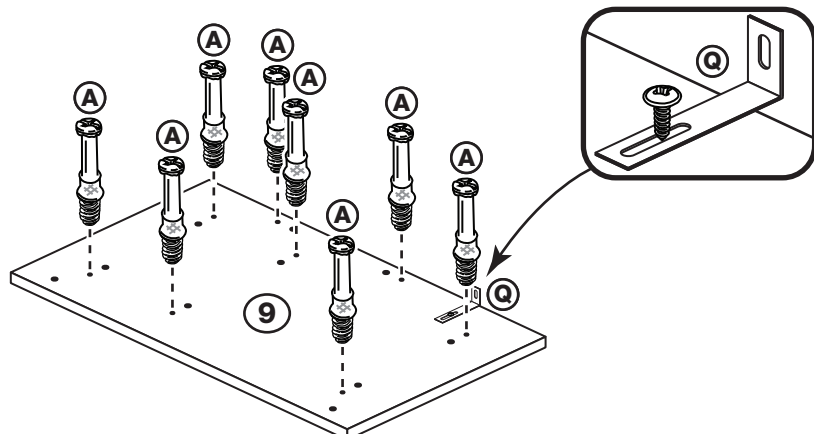
Step 23

Prepare the Top

Screw 8 Metal Dowels into the Top.

Fit the Bracket from the Overbalance Protector Kit to the shallow mark-hole drilled into the Top using 1 of its Screws.

Note: Only fit 1 of the Screws, the other 1 will be fitted later.

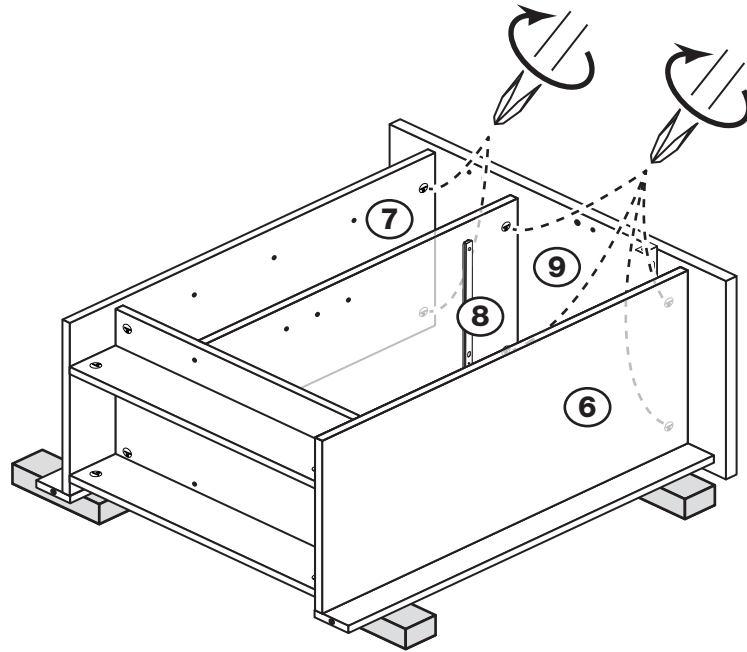


Step 24

Fit the Top

Push the Top onto the assembly.

Use a screwdriver to tighten the 6 Large Locking Cam Nuts fitted to the Sides and Divider.

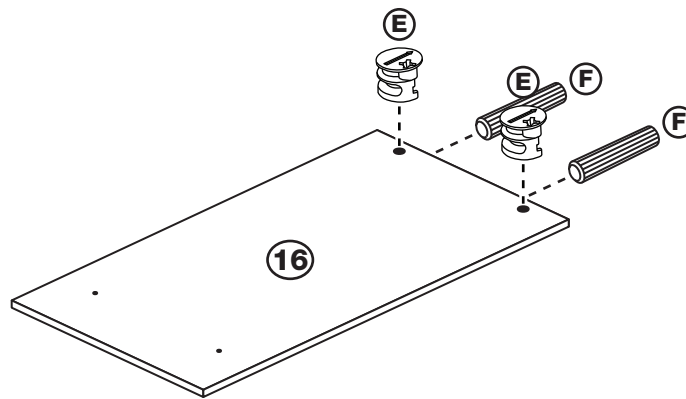


Step 25

Prepare the Back

Tap 2 Wooden Dowels into the Back.

Insert 2 Large Locking Cam Nuts into the Back.



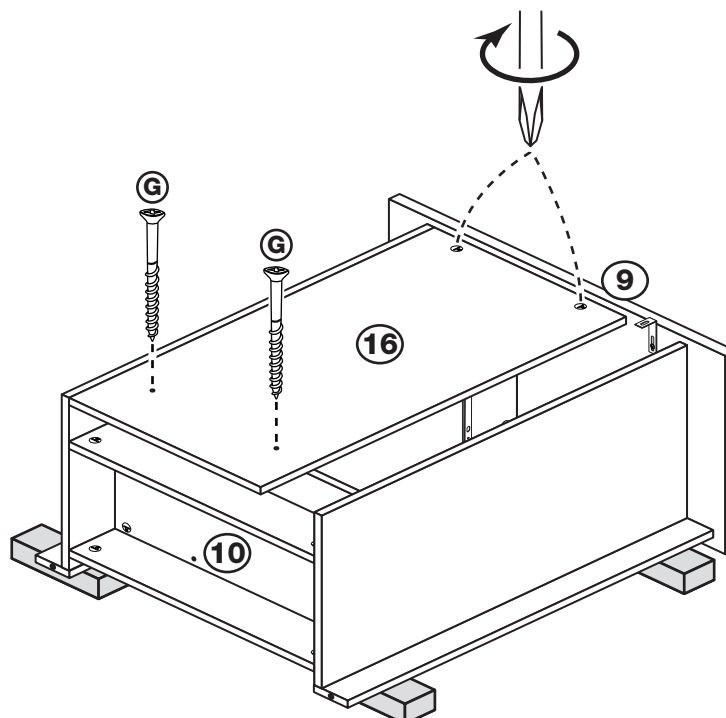
Step 26

Fit the Back

Push the Back onto the Top.

Use a screwdriver to tighten the 2 Large Locking Cam Nuts fitted to the Back.

Fix the Back to the Base with two 45mm Screws.

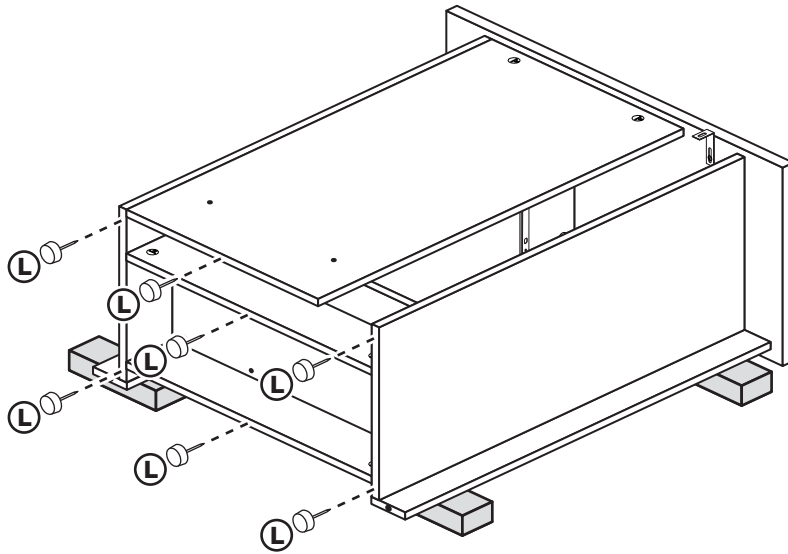


Step 27

Fit the plastic nails

Tap 2 Plastic Nails into the bottom edge of each of the Sides.

Tap a Plastic Nail into the centre of the bottom edge of the 2 Plinths and the Back.



Step 28

Secure the unit to a wall

a: Before fitting the unit to a wall, use a spirit level to check the top of the unit is level, front-to-back and side-to-side in the 3 positions shown. Use suitable packing pieces (not supplied) to make the unit level.

To prevent possible overbalancing this unit must be secured to a suitable wall by fitting the Overbalance Protector Kit to a wall.

b: Push the unit up against the wall and slide the Bracket against the wall. Fit the 2nd Screw from the kit into the underside of the Top panel.

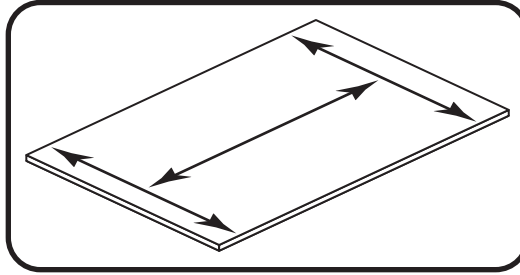
Mark the slot at the back of the Bracket for drilling into the wall.

Wall fixings are not supplied as they will need to suit the wall type.

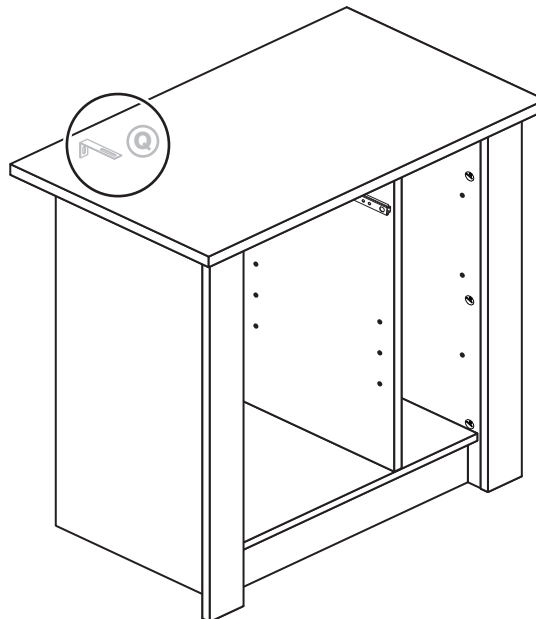
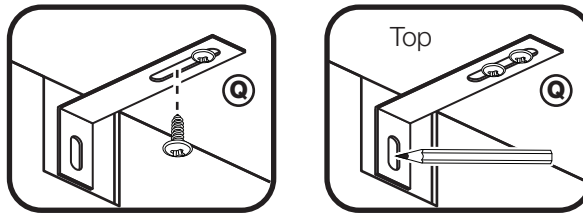
Take care when drilling the wall that you do not drill into any pipes, wires etc. If in doubt, consult an expert.

This unit must be fixed to a wall using the Overbalance Protector Kit provided

a:



b:

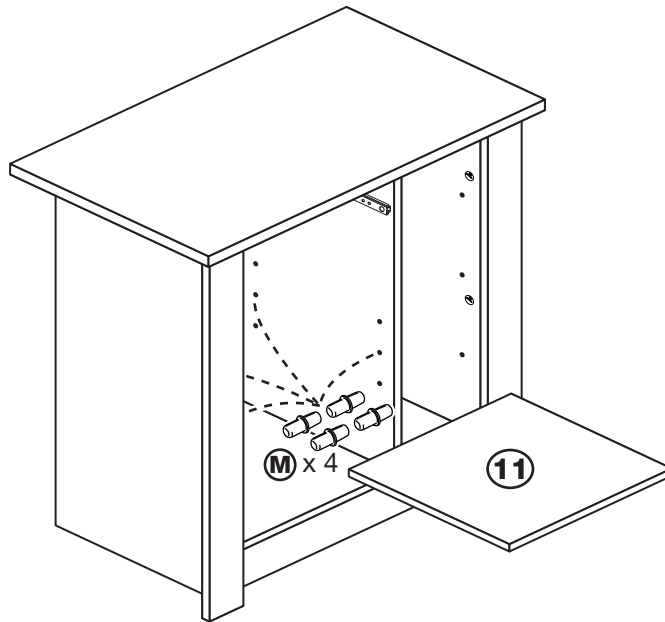


Step 29

Fit the Wide Shelf

Insert 4 Shelf Studs at the required height.

Lower the Wide Shelf down onto the Shelf Studs.

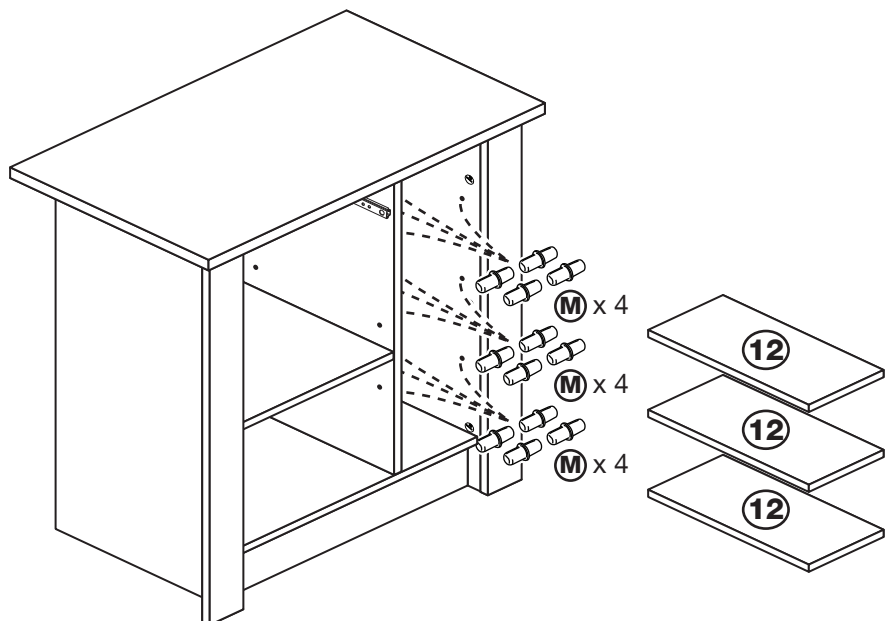


Step 30

Fit the 3 Narrow Shelves

Insert 4 Shelf Studs for each of the Shelves.

Lower the Narrow Shelves down onto the Shelf Studs.



* The 6 Shelf Studs you have left are required for Hood fixing. See separate instructions for fitting details.

Step 31

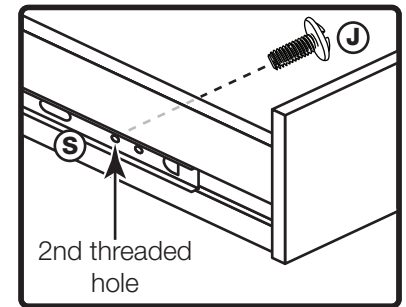
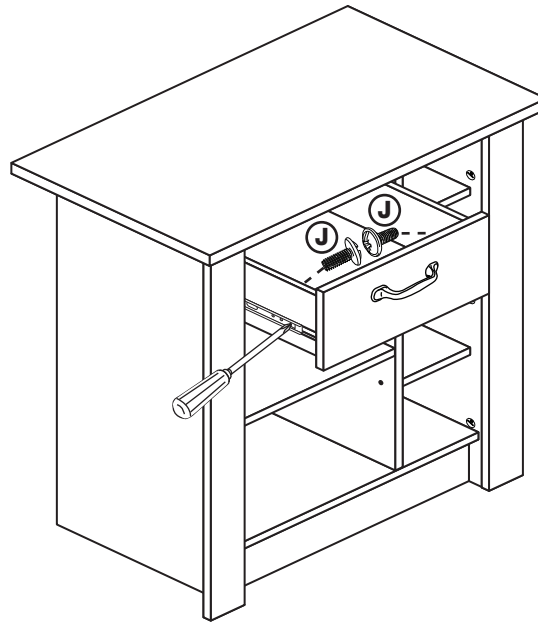
Fit the Drawer

Slide both the Runners forward and locate the Drawer Sides between them, lining up their holes with the 2nd 'threaded' holes in the Runners.

Working from the inside of the Drawer, insert 2 9mm Screws through the Drawer Sides and out into the 2nd threaded hole in the Runner.

Note: Do not overtighten the Screws. If they catch on the Runner you may need to loosen them slightly.

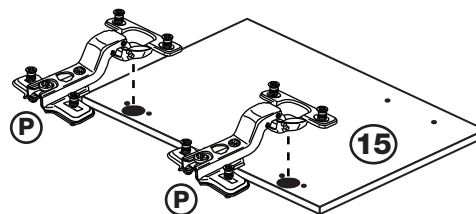
The Runners could have sharp edges and we recommend that you position them using a Screwdriver.



Step 32

Prepare the Door

Push fit 2 Hinges into the Door and secure it by tightening up its 2 screws.



Step 33

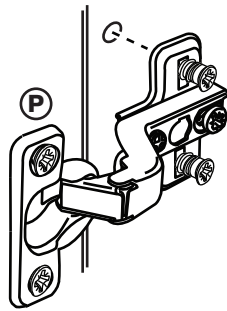
Fit the Door and its Handle

Line up the 2 screws in the top Hinge with the 2 holes at the top of the Left Side and push them in.

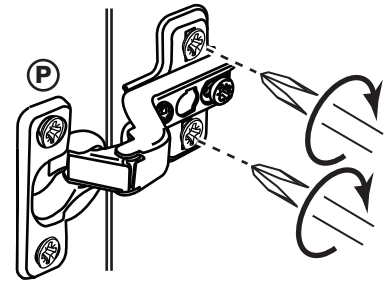
Now push in the other Hinge.

When both of the Hinges have been pushed into place, tighten their 2 screws.

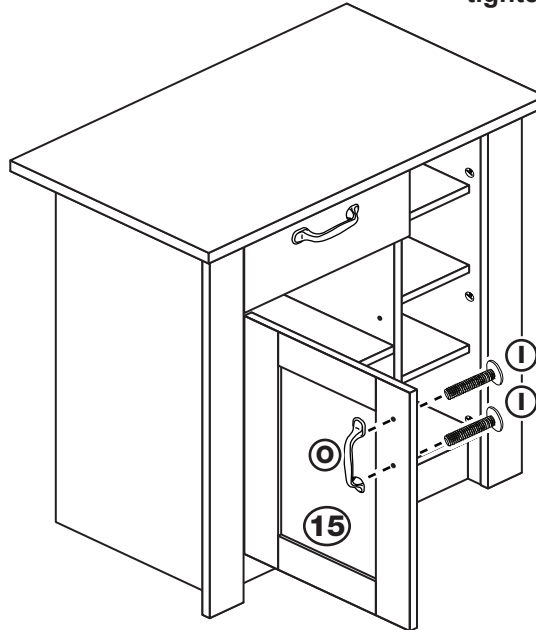
Attach a Handle to the Door using two 19mm Screws.



Press the Screws into the holes in the panel



When the Hinges have been pushed in, tighten up their Screws



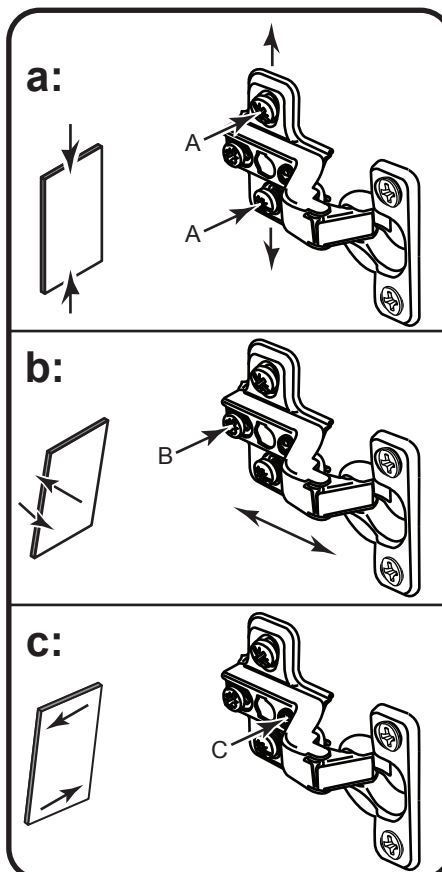
Step 34

Adjust the Door if needed

a: Height adjustment. Loosen Screws A on Hinge Plates and move Door up or down as required. Retighten Screw A.

b: Forward and Back adjustment. Loosen Screw B on Hinge Plate and move Door in or out as required. Retighten Screw B.

c: Sideways adjustment. To move Door 'out' loosen Screw C. To move Door 'in' tighten Screw C.



Step 35

Fit the Door Buffers

Stick a Door Buffer onto the top and bottom corner of the Door where they will hit the Divider.

